



使用场所：酒店、办公、商业综合体/百货等。

**主要材质：**

光学：高品质、高光效、高显色COB芯片，透镜方案，多种配光角度可选，配有6°窄角度。

灯体：采用高精密压铸铝做物理散热，保障灯具的长寿命。

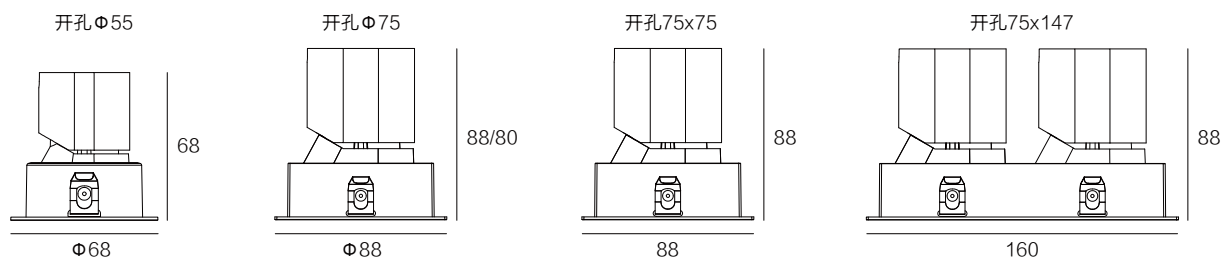
电器：无频闪电源，符合CCC。

**产品特点**

- **时尚外观：**简洁对称的造型设计，层次分明；压铸铝材质+黑细磨砂烤漆，极致表面处理
- **舒适护眼：**防眩角 $>30^\circ$ ，搭配黑镜反射器，可实现 $UGR < 6$ ； $Ra \geq 90$ ，还原更真实的被照物颜色；无频闪、高频豁免级别调光驱动，可实现1%–100%调光过程无视觉闪烁；蓝光危害等级不超过RG1
- **配置齐全：**圆形方形面框、11档功率段、5种开孔尺寸、5种色温、5种角度，适用各种室内空间；DALI、0–10V、可控硅、蓝牙调光驱动、蓝牙智能调光调色驱动，满足智能控制需求
- **高效节能：**前后贯通实现烟囱效应，散热更快；高品质COB芯片，减小光衰，持续稳定的光通量输出；优异的光学设计方案，高透光率透镜， $Ra > 90$ 情况下光效高达80 lm/W
- **使用便捷：**精准投射，可手动调节照射方向，垂直可调 $30^\circ$ ，水平旋转 $355^\circ$

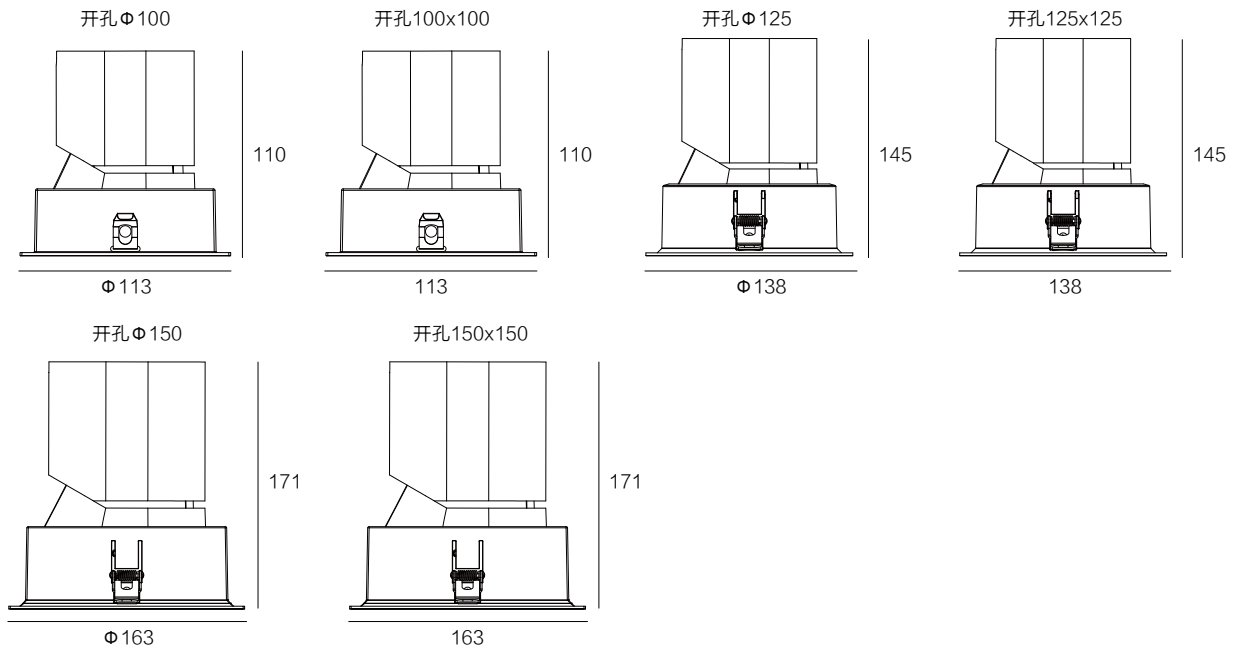
**产品尺寸**

单位：mm

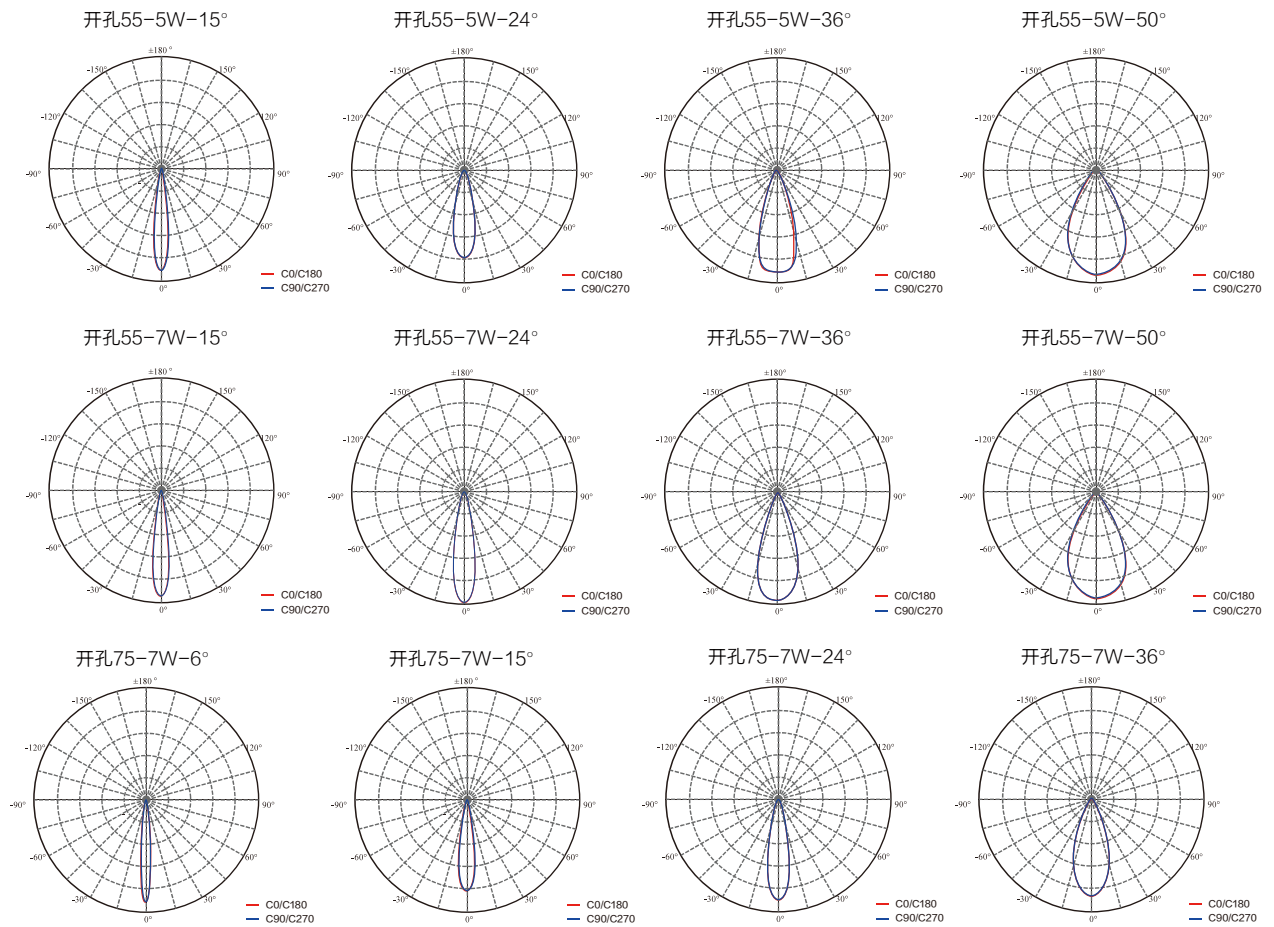


## 产品尺寸

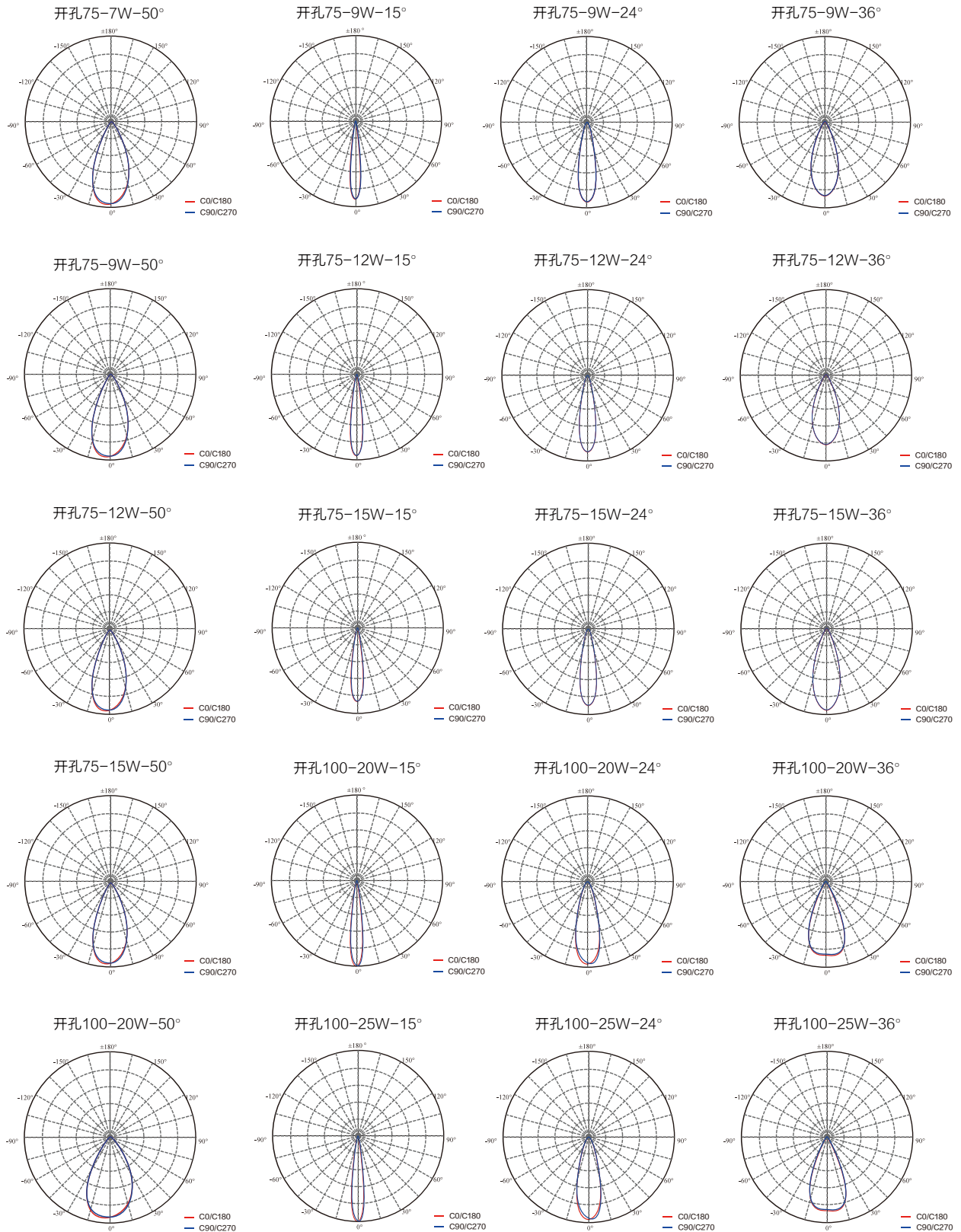
单位: mm



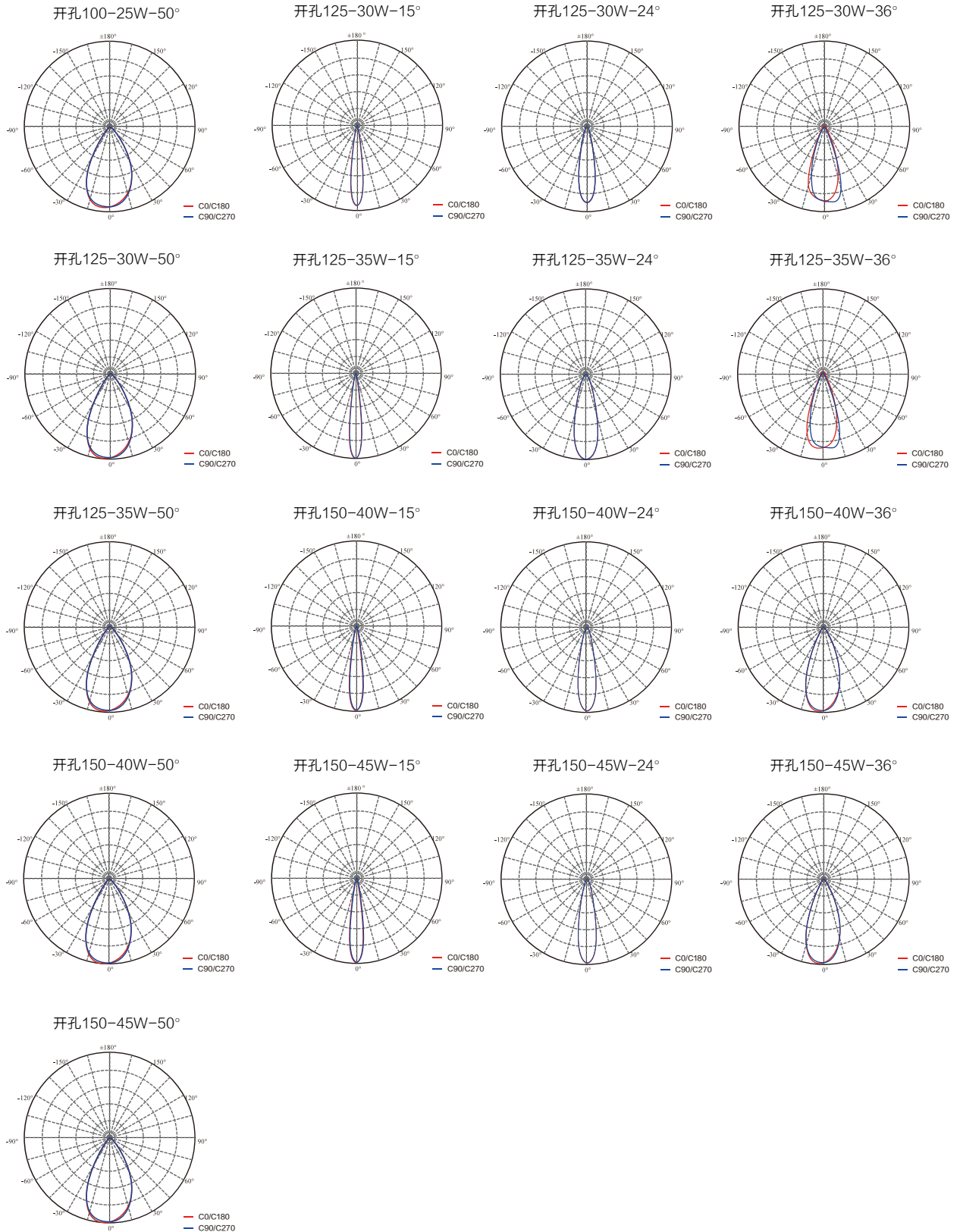
## 配光曲线



配光曲线



配光曲线



欧普照明股份有限公司  
上海市闵行区吴中路1799号万象城V3栋  
邮编 201103

OPPLE LIGHTING CO., LTD.  
V3 Building, The MIXC, Lane 1799, Wuzhong Road,  
Minhang District, Shanghai, China. 201103

客户关爱热线 400-6783-222  
OPPLE.COM

订购代码

物料代码	物料描述	功率 (W)	UGR	光通量 (lm)	色温 (K)	显色指数	光束角	尺寸 (mm)	开孔尺寸 (mm)	寿命 (L70B50)	
541003293600	LTH0105018-皓-55-圆形调角-5W-黑镜-15°	-927	5W	<6	280	2700	>90	15°	D68*H68	Φ55	30000
541003292400	LTH0105018-皓-55-圆形调角-5W-黑镜-15°	-930	5W	<6	300	3000	>90	15°	D68*H68	Φ55	30000
541003274400	LTH0105018-皓-55-圆形调角-5W-黑镜-15°	-935	5W	<6	300	3500	>90	15°	D68*H68	Φ55	30000
541003273000	LTH0105018-皓-55-圆形调角-5W-黑镜-15°	-940	5W	<6	300	4000	>90	15°	D68*H68	Φ55	30000
541003271300	LTH0105018-皓-55-圆形调角-5W-黑镜-24°	-927	5W	<9	353	2700	>90	24°	D68*H68	Φ55	30000
541003270000	LTH0105018-皓-55-圆形调角-5W-黑镜-24°	-930	5W	<9	375	3000	>90	24°	D68*H68	Φ55	30000
541003268500	LTH0105018-皓-55-圆形调角-5W-黑镜-24°	-935	5W	<9	375	3500	>90	24°	D68*H68	Φ55	30000
541003266900	LTH0105018-皓-55-圆形调角-5W-黑镜-24°	-940	5W	<9	375	4000	>90	24°	D68*H68	Φ55	30000
541003265700	LTH0105018-皓-55-圆形调角-5W-黑镜-36°	-927	5W	<9	329	2700	>90	36°	D68*H68	Φ55	30000
541003266600	LTH0105018-皓-55-圆形调角-5W-黑镜-36°	-930	5W	<9	350	3000	>90	36°	D68*H68	Φ55	30000
541003265300	LTH0105018-皓-55-圆形调角-5W-黑镜-36°	-935	5W	<9	350	3500	>90	36°	D68*H68	Φ55	30000
541003264000	LTH0105018-皓-55-圆形调角-5W-黑镜-36°	-940	5W	<9	350	4000	>90	36°	D68*H68	Φ55	30000
541003262500	LTH0105018-皓-55-圆形调角-5W-黑镜-50°	-927	5W	<10	280	2700	>90	50°	D68*H68	Φ55	30000
541003261300	LTH0105018-皓-55-圆形调角-5W-黑镜-50°	-930	5W	<10	350	3000	>90	50°	D68*H68	Φ55	30000
541003339600	LTH0105018-皓-55-圆形调角-5W-黑镜-50°	-935	5W	<10	350	3500	>90	50°	D68*H68	Φ55	30000
541003338000	LTH0105018-皓-55-圆形调角-5W-黑镜-50°	-940	5W	<10	350	4000	>90	50°	D68*H68	Φ55	30000
541003319600	LTH0105019-皓-55-圆形下照-5W-黑镜-15°	-927	5W	<6	280	2700	>90	15°	D68*H68	Φ55	30000
541003317800	LTH0105019-皓-55-圆形下照-5W-黑镜-15°	-930	5W	<6	300	3000	>90	15°	D68*H68	Φ55	30000
541003316600	LTH0105019-皓-55-圆形下照-5W-黑镜-15°	-935	5W	<6	300	3500	>90	15°	D68*H68	Φ55	30000
541003315300	LTH0105019-皓-55-圆形下照-5W-黑镜-15°	-940	5W	<6	300	4000	>90	15°	D68*H68	Φ55	30000
541003313900	LTH0105019-皓-55-圆形下照-5W-黑镜-24°	-927	5W	<9	353	2700	>90	24°	D68*H68	Φ55	30000
541003312800	LTH0105019-皓-55-圆形下照-5W-黑镜-24°	-930	5W	<9	375	3000	>90	24°	D68*H68	Φ55	30000
541003311600	LTH0105019-皓-55-圆形下照-5W-黑镜-24°	-935	5W	<9	375	3500	>90	24°	D68*H68	Φ55	30000
541003310100	LTH0105019-皓-55-圆形下照-5W-黑镜-24°	-940	5W	<9	375	4000	>90	24°	D68*H68	Φ55	30000
541003309000	LTH0105019-皓-55-圆形下照-5W-黑镜-36°	-927	5W	<9	329	2700	>90	36°	D68*H68	Φ55	30000
541003309800	LTH0105019-皓-55-圆形下照-5W-黑镜-36°	-930	5W	<9	350	3000	>90	36°	D68*H68	Φ55	30000
541003308600	LTH0105019-皓-55-圆形下照-5W-黑镜-36°	-935	5W	<9	350	3500	>90	36°	D68*H68	Φ55	30000
541003307400	LTH0105019-皓-55-圆形下照-5W-黑镜-36°	-940	5W	<9	350	4000	>90	36°	D68*H68	Φ55	30000
541003305800	LTH0105019-皓-55-圆形下照-5W-黑镜-50°	-927	5W	<10	280	2700	>90	50°	D68*H68	Φ55	30000
541003304500	LTH0105019-皓-55-圆形下照-5W-黑镜-50°	-930	5W	<10	350	3000	>90	50°	D68*H68	Φ55	30000
541003303400	LTH0105019-皓-55-圆形下照-5W-黑镜-50°	-935	5W	<10	350	3500	>90	50°	D68*H68	Φ55	30000
541003301900	LTH0105019-皓-55-圆形下照-5W-黑镜-50°	-940	5W	<10	350	4000	>90	50°	D68*H68	Φ55	30000
541003284400	LTH0105020-皓-55-圆形下照-5W-小孔-15°	-927	5W	<6	280	2700	>90	15°	D68*H68	Φ55	30000
541003282500	LTH0105020-皓-55-圆形下照-5W-小孔-15°	-930	5W	<6	300	3000	>90	15°	D68*H68	Φ55	30000
541003281300	LTH0105020-皓-55-圆形下照-5W-小孔-15°	-935	5W	<6	300	3500	>90	15°	D68*H68	Φ55	30000
541003280200	LTH0105020-皓-55-圆形下照-5W-小孔-15°	-940	5W	<6	300	4000	>90	15°	D68*H68	Φ55	30000
541003278700	LTH0105020-皓-55-圆形下照-5W-小孔-24°	-927	5W	<9	353	2700	>90	24°	D68*H68	Φ55	30000
541003277600	LTH0105020-皓-55-圆形下照-5W-小孔-24°	-930	5W	<9	375	3000	>90	24°	D68*H68	Φ55	30000
541003276500	LTH0105020-皓-55-圆形下照-5W-小孔-24°	-935	5W	<9	375	3500	>90	24°	D68*H68	Φ55	30000
541003274900	LTH0105020-皓-55-圆形下照-5W-小孔-24°	-940	5W	<9	375	4000	>90	24°	D68*H68	Φ55	30000
541003273800	LTH0105020-皓-55-圆形下照-5W-小孔-36°	-927	5W	<9	329	2700	>90	36°	D68*H68	Φ55	30000
541003274600	LTH0105020-皓-55-圆形下照-5W-小孔-36°	-930	5W	<9	350	3000	>90	36°	D68*H68	Φ55	30000
541003273300	LTH0105020-皓-55-圆形下照-5W-小孔-36°	-935	5W	<9	350	3500	>90	36°	D68*H68	Φ55	30000
541003272000	LTH0105020-皓-55-圆形下照-5W-小孔-36°	-940	5W	<9	350	4000	>90	36°	D68*H68	Φ55	30000
541003270200	LTH0105020-皓-55-圆形下照-5W-小孔-50°	-927	5W	<10	280	2700	>90	50°	D68*H68	Φ55	30000
541003268800	LTH0105020-皓-55-圆形下照-5W-小孔-50°	-930	5W	<10	350	3000	>90	50°	D68*H68	Φ55	30000
541003267600	LTH0105020-皓-55-圆形下照-5W-小孔-50°	-935	5W	<10	350	3500	>90	50°	D68*H68	Φ55	30000
541003265900	LTH0105020-皓-55-圆形下照-5W-小孔-50°	-940	5W	<10	350	4000	>90	50°	D68*H68	Φ55	30000

欧普照明股份有限公司  
上海市闵行区吴中路1799号万象城V3栋  
邮编 201103

OPPLE LIGHTING CO., LTD.  
V3 Building, The MIXC, Lane 1799, Wuzhong Road,  
Minhang District, Shanghai, China. 201103

客户关爱热线 400-6783-222  
OPPLE.COM



订购代码

物料代码	物料描述	功率 (W)	UGR	光通量 (lm)	色温 (K)	显色指数	光束角	尺寸 (mm)	开孔尺寸 (mm)	寿命 (L70B50)
541003327300	LTH0105021-皓-55-圆形调角-5W-椭圆孔-15°-927	5W	<6	280	2700	>90	15°	D68*H68	Φ55	30000
541003325500	LTH0105021-皓-55-圆形调角-5W-椭圆孔-15°-930	5W	<6	300	3000	>90	15°	D68*H68	Φ55	30000
541003324100	LTH0105021-皓-55-圆形调角-5W-椭圆孔-15°-935	5W	<6	300	3500	>90	15°	D68*H68	Φ55	30000
541003323000	LTH0105021-皓-55-圆形调角-5W-椭圆孔-15°-940	5W	<6	300	4000	>90	15°	D68*H68	Φ55	30000
541003321400	LTH0105021-皓-55-圆形调角-5W-椭圆孔-24°-927	5W	<9	353	2700	>90	24°	D68*H68	Φ55	30000
541003320100	LTH0105021-皓-55-圆形调角-5W-椭圆孔-24°-930	5W	<9	375	3000	>90	24°	D68*H68	Φ55	30000
541003318900	LTH0105021-皓-55-圆形调角-5W-椭圆孔-24°-935	5W	<9	375	3500	>90	24°	D68*H68	Φ55	30000
541003317200	LTH0105021-皓-55-圆形调角-5W-椭圆孔-24°-940	5W	<9	375	4000	>90	24°	D68*H68	Φ55	30000
541003316000	LTH0105021-皓-55-圆形调角-5W-椭圆孔-36°-927	5W	<9	329	2700	>90	36°	D68*H68	Φ55	30000
541003316800	LTH0105021-皓-55-圆形调角-5W-椭圆孔-36°-930	5W	<9	350	3000	>90	36°	D68*H68	Φ55	30000
541003315500	LTH0105021-皓-55-圆形调角-5W-椭圆孔-36°-935	5W	<9	350	3500	>90	36°	D68*H68	Φ55	30000
541003314500	LTH0105021-皓-55-圆形调角-5W-椭圆孔-36°-940	5W	<9	350	4000	>90	36°	D68*H68	Φ55	30000
541003313000	LTH0105021-皓-55-圆形调角-5W-椭圆孔-50°-927	5W	<10	280	2700	>90	50°	D68*H68	Φ55	30000
541003311800	LTH0105021-皓-55-圆形调角-5W-椭圆孔-50°-930	5W	<10	350	3000	>90	50°	D68*H68	Φ55	30000
541003310800	LTH0105021-皓-55-圆形调角-5W-椭圆孔-50°-935	5W	<10	350	3500	>90	50°	D68*H68	Φ55	30000
541003309600	LTH0105021-皓-55-圆形调角-5W-椭圆孔-50°-940	5W	<10	350	4000	>90	50°	D68*H68	Φ55	30000
541003336800	LTH0108018-皓-55-圆形调角-7W-黑镜-15°-927	7W	<6	338	2700	>90	15°	D68*H68	Φ55	30000
541003335100	LTH0108018-皓-55-圆形调角-7W-黑镜-15°-930	7W	<6	360	3000	>90	15°	D68*H68	Φ55	30000
541003334100	LTH0108018-皓-55-圆形调角-7W-黑镜-15°-935	7W	<6	360	3500	>90	15°	D68*H68	Φ55	30000
541003332700	LTH0108018-皓-55-圆形调角-7W-黑镜-15°-940	7W	<6	360	4000	>90	15°	D68*H68	Φ55	30000
541003333600	LTH0108018-皓-55-圆形调角-7W-黑镜-24°-927	7W	<9	461	2700	>90	24°	D68*H68	Φ55	30000
541003332200	LTH0108018-皓-55-圆形调角-7W-黑镜-24°-930	7W	<9	490	3000	>90	24°	D68*H68	Φ55	30000
541003331000	LTH0108018-皓-55-圆形调角-7W-黑镜-24°-935	7W	<9	490	3500	>90	24°	D68*H68	Φ55	30000
541003329500	LTH0108018-皓-55-圆形调角-7W-黑镜-24°-940	7W	<9	490	4000	>90	24°	D68*H68	Φ55	30000
541003328300	LTH0108018-皓-55-圆形调角-7W-黑镜-36°-927	7W	<9	404	2700	>90	36°	D68*H68	Φ55	30000
541003326600	LTH0108018-皓-55-圆形调角-7W-黑镜-36°-930	7W	<9	430	3000	>90	36°	D68*H68	Φ55	30000
541003325300	LTH0108018-皓-55-圆形调角-7W-黑镜-36°-935	7W	<9	430	3500	>90	36°	D68*H68	Φ55	30000
541003323900	LTH0108018-皓-55-圆形调角-7W-黑镜-36°-940	7W	<9	430	4000	>90	36°	D68*H68	Φ55	30000
541003322400	LTH0108018-皓-55-圆形调角-7W-黑镜-50°-927	7W	<10	423	2700	>90	50°	D68*H68	Φ55	30000
541003321200	LTH0108018-皓-55-圆形调角-7W-黑镜-50°-930	7W	<10	450	3000	>90	50°	D68*H68	Φ55	30000
541003319900	LTH0108018-皓-55-圆形调角-7W-黑镜-50°-935	7W	<10	450	3500	>90	50°	D68*H68	Φ55	30000
541003320800	LTH0108018-皓-55-圆形调角-7W-黑镜-50°-940	7W	<10	450	4000	>90	50°	D68*H68	Φ55	30000
541003300800	LTH0108019-皓-55-圆形下照-7W-黑镜-15°-927	7W	<6	338	2700	>90	15°	D68*H68	Φ55	30000
541003299200	LTH0108019-皓-55-圆形下照-7W-黑镜-15°-930	7W	<6	360	3000	>90	15°	D68*H68	Φ55	30000
541003298200	LTH0108019-皓-55-圆形下照-7W-黑镜-15°-935	7W	<6	360	3500	>90	15°	D68*H68	Φ55	30000
541003296900	LTH0108019-皓-55-圆形下照-7W-黑镜-15°-940	7W	<6	360	4000	>90	15°	D68*H68	Φ55	30000
541003297700	LTH0108019-皓-55-圆形下照-7W-黑镜-24°-927	7W	<9	461	2700	>90	24°	D68*H68	Φ55	30000
541003296400	LTH0108019-皓-55-圆形下照-7W-黑镜-24°-930	7W	<9	490	3000	>90	24°	D68*H68	Φ55	30000
541003295400	LTH0108019-皓-55-圆形下照-7W-黑镜-24°-935	7W	<9	490	3500	>90	24°	D68*H68	Φ55	30000
541003293700	LTH0108019-皓-55-圆形下照-7W-黑镜-24°-940	7W	<9	490	4000	>90	24°	D68*H68	Φ55	30000
541003292500	LTH0108019-皓-55-圆形下照-7W-黑镜-36°-927	7W	<9	404	2700	>90	36°	D68*H68	Φ55	30000
541003290800	LTH0108019-皓-55-圆形下照-7W-黑镜-36°-930	7W	<9	430	3000	>90	36°	D68*H68	Φ55	30000
541003289700	LTH0108019-皓-55-圆形下照-7W-黑镜-36°-935	7W	<9	430	3500	>90	36°	D68*H68	Φ55	30000
541003288600	LTH0108019-皓-55-圆形下照-7W-黑镜-36°-940	7W	<9	430	4000	>90	36°	D68*H68	Φ55	30000
541003287100	LTH0108019-皓-55-圆形下照-7W-黑镜-50°-927	7W	<10	423	2700	>90	50°	D68*H68	Φ55	30000
541003286000	LTH0108019-皓-55-圆形下照-7W-黑镜-50°-930	7W	<10	450	3000	>90	50°	D68*H68	Φ55	30000
541003284800	LTH0108019-皓-55-圆形下照-7W-黑镜-50°-935	7W	<10	450	3500	>90	50°	D68*H68	Φ55	30000
541003285600	LTH0108019-皓-55-圆形下照-7W-黑镜-50°-940	7W	<10	450	4000	>90	50°	D68*H68	Φ55	30000

欧普照明股份有限公司  
上海市闵行区吴中路1799号万象城V3栋  
邮编 201103

OPPLE LIGHTING CO., LTD.  
V3 Building, The MIXC, Lane 1799, Wuzhong Road,  
Minhang District, Shanghai, China. 201103

客户关爱热线 400-6783-222  
OPPLE.COM

订购代码

物料代码	物料描述	功率 (W)	UGR	光通量 (lm)	色温 (K)	显色指数	光束角	尺寸 (mm)	开孔尺寸 (mm)	寿命 (L70B50)
541003264600	LTH0108020-皓-55-圆形下照-7W-小孔-15°-927	7W	<6	338	2700	>90	15°	D68*H68	Φ55	30000
541003262900	LTH0108020-皓-55-圆形下照-7W-小孔-15°-930	7W	<6	360	3000	>90	15°	D68*H68	Φ55	30000
541003261800	LTH0108020-皓-55-圆形下照-7W-小孔-15°-935	7W	<6	360	3500	>90	15°	D68*H68	Φ55	30000
541003260500	LTH0108020-皓-55-圆形下照-7W-小孔-15°-940	7W	<6	360	4000	>90	15°	D68*H68	Φ55	30000
541003261400	LTH0108020-皓-55-圆形下照-7W-小孔-24°-927	7W	<9	461	2700	>90	24°	D68*H68	Φ55	30000
541003339800	LTH0108020-皓-55-圆形下照-7W-小孔-24°-930	7W	<9	490	3000	>90	24°	D68*H68	Φ55	30000
541003338500	LTH0108020-皓-55-圆形下照-7W-小孔-24°-935	7W	<9	490	3500	>90	24°	D68*H68	Φ55	30000
541003336900	LTH0108020-皓-55-圆形下照-7W-小孔-24°-940	7W	<9	490	4000	>90	24°	D68*H68	Φ55	30000
541003335800	LTH0108020-皓-55-圆形下照-7W-小孔-36°-927	7W	<9	404	2700	>90	36°	D68*H68	Φ55	30000
541003334400	LTH0108020-皓-55-圆形下照-7W-小孔-36°-930	7W	<9	430	3000	>90	36°	D68*H68	Φ55	30000
541003333000	LTH0108020-皓-55-圆形下照-7W-小孔-36°-935	7W	<9	430	3500	>90	36°	D68*H68	Φ55	30000
541003331500	LTH0108020-皓-55-圆形下照-7W-小孔-36°-940	7W	<9	430	4000	>90	36°	D68*H68	Φ55	30000
541003330000	LTH0108020-皓-55-圆形下照-7W-小孔-50°-927	7W	<10	423	2700	>90	50°	D68*H68	Φ55	30000
541003328800	LTH0108020-皓-55-圆形下照-7W-小孔-50°-930	7W	<10	450	3000	>90	50°	D68*H68	Φ55	30000
541003327600	LTH0108020-皓-55-圆形下照-7W-小孔-50°-935	7W	<10	450	3500	>90	50°	D68*H68	Φ55	30000
541003328400	LTH0108020-皓-55-圆形下照-7W-小孔-50°-940	7W	<10	450	4000	>90	50°	D68*H68	Φ55	30000
541003308200	LTH0108021-皓-55-圆形侧角-7W-椭圆孔-15°-927	7W	<6	338	2700	>90	15°	D68*H68	Φ55	30000
541003307100	LTH0108021-皓-55-圆形侧角-7W-椭圆孔-15°-930	7W	<6	360	3000	>90	15°	D68*H68	Φ55	30000
541003306000	LTH0108021-皓-55-圆形侧角-7W-椭圆孔-15°-935	7W	<6	360	3500	>90	15°	D68*H68	Φ55	30000
541003304600	LTH0108021-皓-55-圆形侧角-7W-椭圆孔-15°-940	7W	<6	360	4000	>90	15°	D68*H68	Φ55	30000
541003303100	LTH0108021-皓-55-圆形侧角-7W-椭圆孔-24°-927	7W	<9	461	2700	>90	24°	D68*H68	Φ55	30000
541003302100	LTH0108021-皓-55-圆形侧角-7W-椭圆孔-24°-930	7W	<9	490	3000	>90	24°	D68*H68	Φ55	30000
541003301400	LTH0108021-皓-55-圆形侧角-7W-椭圆孔-24°-935	7W	<9	490	3500	>90	24°	D68*H68	Φ55	30000
541003299800	LTH0108021-皓-55-圆形侧角-7W-椭圆孔-24°-940	7W	<9	490	4000	>90	24°	D68*H68	Φ55	30000
541003298800	LTH0108021-皓-55-圆形侧角-7W-椭圆孔-36°-927	7W	<9	404	2700	>90	36°	D68*H68	Φ55	30000
541003297800	LTH0108021-皓-55-圆形侧角-7W-椭圆孔-36°-930	7W	<9	430	3000	>90	36°	D68*H68	Φ55	30000
541003296500	LTH0108021-皓-55-圆形侧角-7W-椭圆孔-36°-935	7W	<9	430	3500	>90	36°	D68*H68	Φ55	30000
541003295200	LTH0108021-皓-55-圆形侧角-7W-椭圆孔-36°-940	7W	<9	430	4000	>90	36°	D68*H68	Φ55	30000
541003294200	LTH0108021-皓-55-圆形侧角-7W-椭圆孔-50°-927	7W	<10	423	2700	>90	50°	D68*H68	Φ55	30000
541003292100	LTH0108021-皓-55-圆形侧角-7W-椭圆孔-50°-930	7W	<10	450	3000	>90	50°	D68*H68	Φ55	30000
541003291200	LTH0108021-皓-55-圆形侧角-7W-椭圆孔-50°-935	7W	<10	450	3500	>90	50°	D68*H68	Φ55	30000
541003290200	LTH0108021-皓-55-圆形侧角-7W-椭圆孔-50°-940	7W	<10	450	4000	>90	50°	D68*H68	Φ55	30000
541003329300	LTH0108018T-皓-55-圆形侧角-5W-黑镜-2757-DIM	7W	<9	/	2700-5700	>90	24°	D68*H68	Φ55	30000
541003288300	LTH0108022-皓-75-圆形侧角-7W-黑镜-15°-927	7W	<6	423	2700	>90	15°	D88*H80	Φ75	30000
541003287500	LTH0108022-皓-75-圆形侧角-7W-黑镜-15°-930	7W	<6	450	3000	>90	15°	D88*H80	Φ75	30000
541003286500	LTH0108022-皓-75-圆形侧角-7W-黑镜-15°-935	7W	<6	450	3500	>90	15°	D88*H80	Φ75	30000
541003284500	LTH0108022-皓-75-圆形侧角-7W-黑镜-15°-940	7W	<6	450	4000	>90	15°	D88*H80	Φ75	30000
541003283500	LTH0108022-皓-75-圆形侧角-7W-黑镜-24°-927	7W	<9	498	2700	>90	24°	D88*H80	Φ75	30000
541003284100	LTH0108022-皓-75-圆形侧角-7W-黑镜-24°-930	7W	<9	530	3000	>90	24°	D88*H80	Φ75	30000
541003282900	LTH0108022-皓-75-圆形侧角-7W-黑镜-24°-935	7W	<9	530	3500	>90	24°	D88*H80	Φ75	30000
541003281800	LTH0108022-皓-75-圆形侧角-7W-黑镜-24°-940	7W	<9	530	4000	>90	24°	D88*H80	Φ75	30000
541003279900	LTH0108022-皓-75-圆形侧角-7W-黑镜-36°-927	7W	<9	498	2700	>90	36°	D88*H80	Φ75	30000
541003279100	LTH0108022-皓-75-圆形侧角-7W-黑镜-36°-930	7W	<9	530	3000	>90	36°	D88*H80	Φ75	30000
541003278100	LTH0108022-皓-75-圆形侧角-7W-黑镜-36°-935	7W	<9	530	3500	>90	36°	D88*H80	Φ75	30000
541003276200	LTH0108022-皓-75-圆形侧角-7W-黑镜-36°-940	7W	<9	530	4000	>90	36°	D88*H80	Φ75	30000
541003275400	LTH0108022-皓-75-圆形侧角-7W-黑镜-50°-927	7W	<10	498	2700	>90	50°	D88*H80	Φ75	30000
541003273500	LTH0108022-皓-75-圆形侧角-7W-黑镜-50°-930	7W	<10	530	3000	>90	50°	D88*H80	Φ75	30000
541003272300	LTH0108022-皓-75-圆形侧角-7W-黑镜-50°-935	7W	<10	530	3500	>90	50°	D88*H80	Φ75	30000

欧普照明股份有限公司  
上海市闵行区吴中路1799号万象城V3栋  
邮编 201103

OPPLE LIGHTING CO., LTD.  
V3 Building, The MIXC, Lane 1799, Wuzhong Road,  
Minhang District, Shanghai, China. 201103

客户关爱热线 400-6783-222  
OPPLE.COM

订购代码

物料代码	物料描述	功率 (W)	UGR	光通量 (lm)	色温 (K)	显色指数	光束角	尺寸 (mm)	开孔尺寸 (mm)	寿命 (L70B50)
541003271100	LTH0108022-皓-75-圆形调角-7W-黑镜-50° -940	7W	<10	530	4000	>90	50°	D88*H80	Φ75	30000
541003287400	LTH0108023-皓-75-圆形下照-7W-黑镜-15° -927	7W	<6	423	2700	>90	15°	D88*H80	Φ75	30000
541003286400	LTH0108023-皓-75-圆形下照-7W-黑镜-15° -930	7W	<6	450	3000	>90	15°	D88*H80	Φ75	30000
541003285200	LTH0108023-皓-75-圆形下照-7W-黑镜-15° -935	7W	<6	450	3500	>90	15°	D88*H80	Φ75	30000
541003283400	LTH0108023-皓-75-圆形下照-7W-黑镜-15° -940	7W	<6	450	4000	>90	15°	D88*H80	Φ75	30000
541003282100	LTH0108023-皓-75-圆形下照-7W-黑镜-24° -927	7W	<9	498	2700	>90	24°	D88*H80	Φ75	30000
541003282800	LTH0108023-皓-75-圆形下照-7W-黑镜-24° -930	7W	<9	530	3000	>90	24°	D88*H80	Φ75	30000
541003281700	LTH0108023-皓-75-圆形下照-7W-黑镜-24° -935	7W	<9	530	3500	>90	24°	D88*H80	Φ75	30000
541003280600	LTH0108023-皓-75-圆形下照-7W-黑镜-24° -940	7W	<9	530	4000	>90	24°	D88*H80	Φ75	30000
541003279000	LTH0108023-皓-75-圆形下照-7W-黑镜-36° -927	7W	<9	498	2700	>90	36°	D88*H80	Φ75	30000
541003278000	LTH0108023-皓-75-圆形下照-7W-黑镜-36° -930	7W	<9	530	3000	>90	36°	D88*H80	Φ75	30000
541003276900	LTH0108023-皓-75-圆形下照-7W-黑镜-36° -935	7W	<9	530	3500	>90	36°	D88*H80	Φ75	30000
541003275300	LTH0108023-皓-75-圆形下照-7W-黑镜-36° -940	7W	<9	530	4000	>90	36°	D88*H80	Φ75	30000
541003274100	LTH0108023-皓-75-圆形下照-7W-黑镜-50° -927	7W	<10	498	2700	>90	50°	D88*H80	Φ75	30000
541003272200	LTH0108023-皓-75-圆形下照-7W-黑镜-50° -930	7W	<10	530	3000	>90	50°	D88*H80	Φ75	30000
541003271000	LTH0108023-皓-75-圆形下照-7W-黑镜-50° -935	7W	<10	530	3500	>90	50°	D88*H80	Φ75	30000
541003269700	LTH0108023-皓-75-圆形下照-7W-黑镜-50° -940	7W	<10	530	4000	>90	50°	D88*H80	Φ75	30000
541003294700	LTH0108024-皓-75-圆形下照-7W-小孔-15° -927	7W	<6	423	2700	>90	15°	D88*H80	Φ75	30000
541003293400	LTH0108024-皓-75-圆形下照-7W-小孔-15° -930	7W	<6	450	3000	>90	15°	D88*H80	Φ75	30000
541003292000	LTH0108024-皓-75-圆形下照-7W-小孔-15° -935	7W	<6	450	3500	>90	15°	D88*H80	Φ75	30000
541003290600	LTH0108024-皓-75-圆形下照-7W-小孔-15° -940	7W	<6	450	4000	>90	15°	D88*H80	Φ75	30000
541003289400	LTH0108024-皓-75-圆形下照-7W-小孔-24° -927	7W	<9	498	2700	>90	24°	D88*H80	Φ75	30000
541003290300	LTH0108024-皓-75-圆形下照-7W-小孔-24° -930	7W	<9	530	3000	>90	24°	D88*H80	Φ75	30000
541003289200	LTH0108024-皓-75-圆形下照-7W-小孔-24° -935	7W	<9	530	3500	>90	24°	D88*H80	Φ75	30000
541003288000	LTH0108024-皓-75-圆形下照-7W-小孔-24° -940	7W	<9	530	4000	>90	24°	D88*H80	Φ75	30000
541003286600	LTH0108024-皓-75-圆形下照-7W-小孔-36° -927	7W	<9	498	2700	>90	36°	D88*H80	Φ75	30000
541003285400	LTH0108024-皓-75-圆形下照-7W-小孔-36° -930	7W	<9	530	3000	>90	36°	D88*H80	Φ75	30000
541003284000	LTH0108024-皓-75-圆形下照-7W-小孔-36° -935	7W	<9	530	3500	>90	36°	D88*H80	Φ75	30000
541003282300	LTH0108024-皓-75-圆形下照-7W-小孔-36° -940	7W	<9	530	4000	>90	36°	D88*H80	Φ75	30000
541003281000	LTH0108024-皓-75-圆形下照-7W-小孔-50° -927	7W	<10	498	2700	>90	50°	D88*H80	Φ75	30000
541003279500	LTH0108024-皓-75-圆形下照-7W-小孔-50° -930	7W	<10	530	3000	>90	50°	D88*H80	Φ75	30000
541003278500	LTH0108024-皓-75-圆形下照-7W-小孔-50° -935	7W	<10	530	3500	>90	50°	D88*H80	Φ75	30000
541003277300	LTH0108024-皓-75-圆形下照-7W-小孔-50° -940	7W	<10	530	4000	>90	50°	D88*H80	Φ75	30000
541003301800	LTH0108025-皓-75-圆形调角-7W-椭圆孔-15° -927	7W	<6	423	2700	>90	15°	D88*H80	Φ75	30000
541003300700	LTH0108025-皓-75-圆形调角-7W-椭圆孔-15° -930	7W	<6	450	3000	>90	15°	D88*H80	Φ75	30000
541003299700	LTH0108025-皓-75-圆形调角-7W-椭圆孔-15° -935	7W	<6	450	3500	>90	15°	D88*H80	Φ75	30000
541003298100	LTH0108025-皓-75-圆形调角-7W-椭圆孔-15° -940	7W	<6	450	4000	>90	15°	D88*H80	Φ75	30000
541003296800	LTH0108025-皓-75-圆形调角-7W-椭圆孔-24° -927	7W	<9	498	2700	>90	24°	D88*H80	Φ75	30000
541003297600	LTH0108025-皓-75-圆形调角-7W-椭圆孔-24° -930	7W	<9	530	3000	>90	24°	D88*H80	Φ75	30000
541003296300	LTH0108025-皓-75-圆形调角-7W-椭圆孔-24° -935	7W	<9	530	3500	>90	24°	D88*H80	Φ75	30000
541003295300	LTH0108025-皓-75-圆形调角-7W-椭圆孔-24° -940	7W	<9	530	4000	>90	24°	D88*H80	Φ75	30000
541003293500	LTH0108025-皓-75-圆形调角-7W-椭圆孔-36° -927	7W	<9	498	2700	>90	36°	D88*H80	Φ75	30000
541003292300	LTH0108025-皓-75-圆形调角-7W-椭圆孔-36° -930	7W	<9	530	3000	>90	36°	D88*H80	Φ75	30000
541003291400	LTH0108025-皓-75-圆形调角-7W-椭圆孔-36° -935	7W	<9	530	3500	>90	36°	D88*H80	Φ75	30000
541003289600	LTH0108025-皓-75-圆形调角-7W-椭圆孔-36° -940	7W	<9	530	4000	>90	36°	D88*H80	Φ75	30000
541003288500	LTH0108025-皓-75-圆形调角-7W-椭圆孔-50° -927	7W	<10	498	2700	>90	50°	D88*H80	Φ75	30000
541003287000	LTH0108025-皓-75-圆形调角-7W-椭圆孔-50° -930	7W	<10	530	3000	>90	50°	D88*H80	Φ75	30000
541003285900	LTH0108025-皓-75-圆形调角-7W-椭圆孔-50° -935	7W	<10	530	3500	>90	50°	D88*H80	Φ75	30000

欧普照明股份有限公司  
上海市闵行区吴中路1799号万象城V3栋  
邮编 201103

OPPLE LIGHTING CO., LTD.  
V3 Building, The MIXC, Lane 1799, Wuzhong Road,  
Minhang District, Shanghai, China. 201103

客户关爱热线 400-6783-222  
OPPLE.COM



订购代码

物料代码	物料描述	功率 (W)	UGR	光通量 (lm)	色温 (K)	显色指数	光束角	尺寸 (mm)	开孔尺寸 (mm)	寿命 (L70B50)
541003284700	LTH0108025-皓-75-圆形调角-7W-椭圆孔-50° -940	7W	<10	530	4000	>90	50°	D88*H80	Φ75	30000
541003306400	LTH0108026-皓-75-方形调角-7W-黑镜-15° -927	7W	<6	423	2700	>90	15°	88*88*H80	75×75	30000
541003305200	LTH0108026-皓-75-方形调角-7W-黑镜-15° -930	7W	<6	450	3000	>90	15°	88*88*H80	75×75	30000
541003304000	LTH0108026-皓-75-方形调角-7W-黑镜-15° -935	7W	<6	450	3500	>90	15°	88*88*H80	75×75	30000
541003304800	LTH0108026-皓-75-方形调角-7W-黑镜-15° -940	7W	<6	450	4000	>90	15°	88*88*H80	75×75	30000
541003303600	LTH0108026-皓-75-方形调角-7W-黑镜-24° -927	7W	<9	498	2700	>90	24°	88*88*H80	75×75	30000
541003302200	LTH0108026-皓-75-方形调角-7W-黑镜-24° -930	7W	<9	530	3000	>90	24°	88*88*H80	75×75	30000
541003300900	LTH0108026-皓-75-方形调角-7W-黑镜-24° -935	7W	<9	530	3500	>90	24°	88*88*H80	75×75	30000
541003300000	LTH0108026-皓-75-方形调角-7W-黑镜-24° -940	7W	<9	530	4000	>90	24°	88*88*H80	75×75	30000
541003298400	LTH0108026-皓-75-方形调角-7W-黑镜-36° -927	7W	<9	498	2700	>90	36°	88*88*H80	75×75	30000
541003297100	LTH0108026-皓-75-方形调角-7W-黑镜-36° -930	7W	<9	530	3000	>90	36°	88*88*H80	75×75	30000
541003295900	LTH0108026-皓-75-方形调角-7W-黑镜-36° -935	7W	<9	530	3500	>90	36°	88*88*H80	75×75	30000
541003294400	LTH0108026-皓-75-方形调角-7W-黑镜-36° -940	7W	<9	530	4000	>90	36°	88*88*H80	75×75	30000
541003293000	LTH0108026-皓-75-方形调角-7W-黑镜-50° -927	7W	<10	498	2700	>90	50°	88*88*H80	75×75	30000
541003293900	LTH0108026-皓-75-方形调角-7W-黑镜-50° -930	7W	<10	530	3000	>90	50°	88*88*H80	75×75	30000
541003292600	LTH0108026-皓-75-方形调角-7W-黑镜-50° -935	7W	<10	530	3500	>90	50°	88*88*H80	75×75	30000
541003291600	LTH0108026-皓-75-方形调角-7W-黑镜-50° -940	7W	<10	530	4000	>90	50°	88*88*H80	75×75	30000
541003286300	LTH0108032-皓-75-圆形调角P44-7W-黑镜-24° -927	7W	<9	498	2700	>90	24°	D88*H80	Φ75	30000
541003285100	LTH0108032-皓-75-圆形调角P44-7W-黑镜-24° -930	7W	<9	530	3000	>90	24°	D88*H80	Φ75	30000
541003283300	LTH0108032-皓-75-圆形调角P44-7W-黑镜-24° -935	7W	<9	530	3500	>90	24°	D88*H80	Φ75	30000
541003282000	LTH0108032-皓-75-圆形调角P44-7W-黑镜-24° -940	7W	<9	530	4000	>90	24°	D88*H80	Φ75	30000
541003269100	LTH0108033-皓-75-圆形下照P44-7W-黑镜-24° -927	7W	<9	498	2700	>90	24°	D88*H80	Φ75	30000
541003267900	LTH0108033-皓-75-圆形下照P44-7W-黑镜-24° -930	7W	<9	530	3000	>90	24°	D88*H80	Φ75	30000
541003266200	LTH0108033-皓-75-圆形下照P44-7W-黑镜-24° -935	7W	<9	530	3500	>90	24°	D88*H80	Φ75	30000
541003264800	LTH0108033-皓-75-圆形下照P44-7W-黑镜-24° -940	7W	<9	530	4000	>90	24°	D88*H80	Φ75	30000
541003307500	LTH0108027-皓-75-圆形调角-7W-黑镜-6° -927	7W	<6	235	2700	>90	6°	D88*H80	Φ75	30000
541003306500	LTH0108027-皓-75-圆形调角-7W-黑镜-6° -930	7W	<6	265	3000	>90	6°	D88*H80	Φ75	30000
541003305300	LTH0108027-皓-75-圆形调角-7W-黑镜-6° -935	7W	<6	265	3500	>90	6°	D88*H80	Φ75	30000
541003306100	LTH0108027-皓-75-圆形调角-7W-黑镜-6° -940	7W	<6	265	4000	>90	6°	D88*H80	Φ75	30000
541003304900	LTH0108028-皓-75-圆形下照-7W-黑镜-6° -927	7W	<6	235	2700	>90	6°	D88*H80	Φ75	30000
541003303700	LTH0108028-皓-75-圆形下照-7W-黑镜-6° -930	7W	<6	265	3000	>90	6°	D88*H80	Φ75	30000
541003302300	LTH0108028-皓-75-圆形下照-7W-黑镜-6° -935	7W	<6	265	3500	>90	6°	D88*H80	Φ75	30000
541003301000	LTH0108028-皓-75-圆形下照-7W-黑镜-6° -940	7W	<6	265	4000	>90	6°	D88*H80	Φ75	30000
541003299400	LTH0108029-皓-75-圆形下照-7W-小孔-6° -927	7W	<6	235	2700	>90	6°	D88*H80	Φ75	30000
541003298500	LTH0108029-皓-75-圆形下照-7W-小孔-6° -930	7W	<6	265	3000	>90	6°	D88*H80	Φ75	30000
541003297200	LTH0108029-皓-75-圆形下照-7W-小孔-6° -935	7W	<6	265	3500	>90	6°	D88*H80	Φ75	30000
541003295500	LTH0108029-皓-75-圆形下照-7W-小孔-6° -940	7W	<6	265	4000	>90	6°	D88*H80	Φ75	30000
541003294500	LTH0108030-皓-75-圆形调角-7W-椭圆孔-6° -927	7W	<6	235	2700	>90	6°	D88*H80	Φ75	30000
541003293100	LTH0108030-皓-75-圆形调角-7W-椭圆孔-6° -930	7W	<6	265	3000	>90	6°	D88*H80	Φ75	30000
541003294000	LTH0108030-皓-75-圆形调角-7W-椭圆孔-6° -935	7W	<6	265	3500	>90	6°	D88*H80	Φ75	30000
541003292700	LTH0108030-皓-75-圆形调角-7W-椭圆孔-6° -940	7W	<6	265	4000	>90	6°	D88*H80	Φ75	30000
541003291000	LTH0108031-皓-75-方形调角-7W-黑镜-6° -927	7W	<6	235	2700	>90	6°	88*88*H80	75×75	30000
541003290000	LTH0108031-皓-75-方形调角-7W-黑镜-6° -930	7W	<6	265	3000	>90	6°	88*88*H80	75×75	30000
541003288900	LTH0108031-皓-75-方形调角-7W-黑镜-6° -935	7W	<6	265	3500	>90	6°	88*88*H80	75×75	30000
541003287300	LTH0108031-皓-75-方形调角-7W-黑镜-6° -940	7W	<6	265	4000	>90	6°	88*88*H80	75×75	30000
541003346200	LTH01207001-皓-75-双头调角-7W-黑镜-15° -927	2x7W	<6	2×423	2700	>90	15°	160*88*H80	147×75	30000
541003344800	LTH01207001-皓-75-双头调角-7W-黑镜-15° -930	2x7W	<6	2×450	3000	>90	15°	160*88*H80	147×75	30000
541003341900	LTH01207001-皓-75-双头调角-7W-黑镜-15° -935	2x7W	<6	2×450	3500	>90	15°	160*88*H80	147×75	30000

欧普照明股份有限公司  
上海市闵行区吴中路1799号万象城V3栋  
邮编 201103

OPPLE LIGHTING CO., LTD.  
V3 Building, The MIXC, Lane 1799, Wuzhong Road,  
Minhang District, Shanghai, China. 201103

客户关爱热线 400-6783-222  
OPPLE.COM

订购代码

物料代码	物料描述	功率 (W)	UGR	光通量 (lm)	色温 (K)	显色指数	光束角	尺寸 (mm)	开孔尺寸 (mm)	寿命 (L70B50)	
541003346900	LTH01207001-皓-75-双头调角-7W-黑镜-15°	-940	2x7W	<6	2×450	4000	>90	15°	160*88*H80	147×75	30000
541003346500	LTH01207001-皓-75-双头调角-7W-黑镜-24°	-927	2x7W	<9	2×498	2700	>90	24°	160*88*H80	147×75	30000
541003345100	LTH01207001-皓-75-双头调角-7W-黑镜-24°	-930	2x7W	<9	2×530	3000	>90	24°	160*88*H80	147×75	30000
541003343900	LTH01207001-皓-75-双头调角-7W-黑镜-24°	-935	2x7W	<9	2×530	3500	>90	24°	160*88*H80	147×75	30000
541003342500	LTH01207001-皓-75-双头调角-7W-黑镜-24°	-940	2x7W	<9	2×530	4000	>90	24°	160*88*H80	147×75	30000
541003347200	LTH01207001-皓-75-双头调角-7W-黑镜-36°	-927	2x7W	<9	2×498	2700	>90	36°	160*88*H80	147×75	30000
541003347600	LTH01207001-皓-75-双头调角-7W-黑镜-36°	-930	2x7W	<9	2×530	3000	>90	36°	160*88*H80	147×75	30000
541003346000	LTH01207001-皓-75-双头调角-7W-黑镜-36°	-935	2x7W	<9	2×530	3500	>90	36°	160*88*H80	147×75	30000
541003344300	LTH01207001-皓-75-双头调角-7W-黑镜-36°	-940	2x7W	<9	2×530	4000	>90	36°	160*88*H80	147×75	30000
541003343100	LTH01207001-皓-75-双头调角-7W-黑镜-50°	-927	2x7W	<10	2×498	2700	>90	50°	160*88*H80	147×75	30000
541003348100	LTH01207001-皓-75-双头调角-7W-黑镜-50°	-930	2x7W	<10	2×530	3000	>90	50°	160*88*H80	147×75	30000
541003345000	LTH01207001-皓-75-双头调角-7W-黑镜-50°	-935	2x7W	<10	2×530	3500	>90	50°	160*88*H80	147×75	30000
541003343400	LTH01207001-皓-75-双头调角-7W-黑镜-50°	-940	2x7W	<10	2×530	4000	>90	50°	160*88*H80	147×75	30000
541003271700	LTH0109018-皓-75-圆形调角-9W-黑镜-15°	-927	9W	<6	915	2700	>90	15°	D88*H80	Φ75	30000
541003270600	LTH0109018-皓-75-圆形调角-9W-黑镜-15°	-930	9W	<6	975	3000	>90	15°	D88*H80	Φ75	30000
541003269300	LTH0109018-皓-75-圆形调角-9W-黑镜-15°	-935	9W	<6	975	3500	>90	15°	D88*H80	Φ75	30000
541003267300	LTH0109018-皓-75-圆形调角-9W-黑镜-15°	-940	9W	<6	975	4000	>90	15°	D88*H80	Φ75	30000
541003266400	LTH0109018-皓-75-圆形调角-9W-黑镜-24°	-927	9W	<9	639	2700	>90	24°	D88*H80	Φ75	30000
541003265000	LTH0109018-皓-75-圆形调角-9W-黑镜-24°	-930	9W	<9	675	3000	>90	24°	D88*H80	Φ75	30000
541003263300	LTH0109018-皓-75-圆形调角-9W-黑镜-24°	-935	9W	<9	675	3500	>90	24°	D88*H80	Φ75	30000
541003262300	LTH0109018-皓-75-圆形调角-9W-黑镜-24°	-940	9W	<9	675	4000	>90	24°	D88*H80	Φ75	30000
541003261000	LTH0109018-皓-75-圆形调角-9W-黑镜-36°	-927	9W	<9	639	2700	>90	36°	D88*H80	Φ75	30000
541003339000	LTH0109018-皓-75-圆形调角-9W-黑镜-36°	-930	9W	<9	675	3000	>90	36°	D88*H80	Φ75	30000
541003337800	LTH0109018-皓-75-圆形调角-9W-黑镜-36°	-935	9W	<9	675	3500	>90	36°	D88*H80	Φ75	30000
541003332500	LTH0109018-皓-75-圆形调角-9W-黑镜-36°	-940	9W	<9	675	4000	>90	36°	D88*H80	Φ75	30000
541003331300	LTH0109018-皓-75-圆形调角-9W-黑镜-50°	-927	9W	<10	639	2700	>90	50°	D88*H80	Φ75	30000
541003332000	LTH0109018-皓-75-圆形调角-9W-黑镜-50°	-930	9W	<10	675	3000	>90	50°	D88*H80	Φ75	30000
541003327100	LTH0109018-皓-75-圆形调角-9W-黑镜-50°	-935	9W	<10	675	3500	>90	50°	D88*H80	Φ75	30000
541003326000	LTH0109018-皓-75-圆形调角-9W-黑镜-50°	-940	9W	<10	675	4000	>90	50°	D88*H80	Φ75	30000
541003270500	LTH0109019-皓-75-圆形下照-9W-黑镜-15°	-927	9W	<6	915	2700	>90	15°	D88*H80	Φ75	30000
541003269200	LTH0109019-皓-75-圆形下照-9W-黑镜-15°	-930	9W	<6	975	3000	>90	15°	D88*H80	Φ75	30000
541003268000	LTH0109019-皓-75-圆形下照-9W-黑镜-15°	-935	9W	<6	975	3500	>90	15°	D88*H80	Φ75	30000
541003266300	LTH0109019-皓-75-圆形下照-9W-黑镜-15°	-940	9W	<6	975	4000	>90	15°	D88*H80	Φ75	30000
541003264900	LTH0109019-皓-75-圆形下照-9W-黑镜-24°	-927	9W	<9	639	2700	>90	24°	D88*H80	Φ75	30000
541003263200	LTH0109019-皓-75-圆形下照-9W-黑镜-24°	-930	9W	<9	675	3000	>90	24°	D88*H80	Φ75	30000
541003262200	LTH0109019-皓-75-圆形下照-9W-黑镜-24°	-935	9W	<9	675	3500	>90	24°	D88*H80	Φ75	30000
541003260900	LTH0109019-皓-75-圆形下照-9W-黑镜-24°	-940	9W	<9	675	4000	>90	24°	D88*H80	Φ75	30000
541003338900	LTH0109019-皓-75-圆形下照-9W-黑镜-36°	-927	9W	<9	639	2700	>90	36°	D88*H80	Φ75	30000
541003337700	LTH0109019-皓-75-圆形下照-9W-黑镜-36°	-930	9W	<9	675	3000	>90	36°	D88*H80	Φ75	30000
541003336500	LTH0109019-皓-75-圆形下照-9W-黑镜-36°	-935	9W	<9	675	3500	>90	36°	D88*H80	Φ75	30000
541003337300	LTH0109019-皓-75-圆形下照-9W-黑镜-36°	-940	9W	<9	675	4000	>90	36°	D88*H80	Φ75	30000
541003336100	LTH0109019-皓-75-圆形下照-9W-黑镜-50°	-927	9W	<10	639	2700	>90	50°	D88*H80	Φ75	30000
541003334700	LTH0109019-皓-75-圆形下照-9W-黑镜-50°	-930	9W	<10	675	3000	>90	50°	D88*H80	Φ75	30000
541003333400	LTH0109019-皓-75-圆形下照-9W-黑镜-50°	-935	9W	<10	675	3500	>90	50°	D88*H80	Φ75	30000
541003331700	LTH0109019-皓-75-圆形下照-9W-黑镜-50°	-940	9W	<10	675	4000	>90	50°	D88*H80	Φ75	30000
541003278200	LTH0109020-皓-75-圆形下照-9W-小孔-15°	-927	9W	<6	915	2700	>90	15°	D88*H80	Φ75	30000
541003277100	LTH0109020-皓-75-圆形下照-9W-小孔-15°	-930	9W	<6	975	3000	>90	15°	D88*H80	Φ75	30000
541003275900	LTH0109020-皓-75-圆形下照-9W-小孔-15°	-935	9W	<6	975	3500	>90	15°	D88*H80	Φ75	30000

欧普照明股份有限公司  
上海市闵行区吴中路1799号万象城V3栋  
邮编 201103

OPPLE LIGHTING CO., LTD.  
V3 Building, The MIXC, Lane 1799, Wuzhong Road,  
Minhang District, Shanghai, China. 201103

客户关爱热线 400-6783-222  
OPPLE.COM

订购代码

物料代码	物料描述	功率 (W)	UGR	光通量 (lm)	色温 (K)	显色指数	光束角	尺寸 (mm)	开孔尺寸 (mm)	寿命 (L70B50)
541003274300	LTH0109020-皓-75-圆形下照-9W-小孔-15°-940	9W	<6	975	4000	>90	15°	D88*H80	Φ75	30000
541003272900	LTH0109020-皓-75-圆形下照-9W-小孔-24°-927	9W	<9	639	2700	>90	24°	D88*H80	Φ75	30000
541003271200	LTH0109020-皓-75-圆形下照-9W-小孔-24°-930	9W	<9	675	3000	>90	24°	D88*H80	Φ75	30000
541003269900	LTH0109020-皓-75-圆形下照-9W-小孔-24°-935	9W	<9	675	3500	>90	24°	D88*H80	Φ75	30000
541003268400	LTH0109020-皓-75-圆形下照-9W-小孔-24°-940	9W	<9	675	4000	>90	24°	D88*H80	Φ75	30000
541003266800	LTH0109020-皓-75-圆形下照-9W-小孔-36°-927	9W	<9	639	2700	>90	36°	D88*H80	Φ75	30000
541003265600	LTH0109020-皓-75-圆形下照-9W-小孔-36°-930	9W	<9	675	3000	>90	36°	D88*H80	Φ75	30000
541003264300	LTH0109020-皓-75-圆形下照-9W-小孔-36°-935	9W	<9	675	3500	>90	36°	D88*H80	Φ75	30000
541003265200	LTH0109020-皓-75-圆形下照-9W-小孔-36°-940	9W	<9	675	4000	>90	36°	D88*H80	Φ75	30000
541003263900	LTH0109020-皓-75-圆形下照-9W-小孔-50°-927	9W	<10	639	2700	>90	50°	D88*H80	Φ75	30000
541003262400	LTH0109020-皓-75-圆形下照-9W-小孔-50°-930	9W	<10	675	3000	>90	50°	D88*H80	Φ75	30000
541003261200	LTH0109020-皓-75-圆形下照-9W-小孔-50°-935	9W	<10	675	3500	>90	50°	D88*H80	Φ75	30000
541003339500	LTH0109020-皓-75-圆形下照-9W-小孔-50°-940	9W	<10	675	4000	>90	50°	D88*H80	Φ75	30000
541003285500	LTH0109021-皓-75-圆形侧角-9W-椭圆孔-15°-927	9W	<6	915	2700	>90	15°	D88*H80	Φ75	30000
541003284300	LTH0109021-皓-75-圆形侧角-9W-椭圆孔-15°-930	9W	<6	975	3000	>90	15°	D88*H80	Φ75	30000
541003283100	LTH0109021-皓-75-圆形侧角-9W-椭圆孔-15°-935	9W	<6	975	3500	>90	15°	D88*H80	Φ75	30000
541003281200	LTH0109021-皓-75-圆形侧角-9W-椭圆孔-15°-940	9W	<6	975	4000	>90	15°	D88*H80	Φ75	30000
541003280100	LTH0109021-皓-75-圆形侧角-9W-椭圆孔-24°-927	9W	<9	639	2700	>90	24°	D88*H80	Φ75	30000
541003278600	LTH0109021-皓-75-圆形侧角-9W-椭圆孔-24°-930	9W	<9	675	3000	>90	24°	D88*H80	Φ75	30000
541003277500	LTH0109021-皓-75-圆形侧角-9W-椭圆孔-24°-935	9W	<9	675	3500	>90	24°	D88*H80	Φ75	30000
541003276400	LTH0109021-皓-75-圆形侧角-9W-椭圆孔-24°-940	9W	<9	675	4000	>90	24°	D88*H80	Φ75	30000
541003274800	LTH0109021-皓-75-圆形侧角-9W-椭圆孔-36°-927	9W	<9	639	2700	>90	36°	D88*H80	Φ75	30000
541003273700	LTH0109021-皓-75-圆形侧角-9W-椭圆孔-36°-930	9W	<9	675	3000	>90	36°	D88*H80	Φ75	30000
541003272500	LTH0109021-皓-75-圆形侧角-9W-椭圆孔-36°-935	9W	<9	675	3500	>90	36°	D88*H80	Φ75	30000
541003273200	LTH0109021-皓-75-圆形侧角-9W-椭圆孔-36°-940	9W	<9	675	4000	>90	36°	D88*H80	Φ75	30000
541003271900	LTH0109021-皓-75-圆形侧角-9W-椭圆孔-50°-927	9W	<10	639	2700	>90	50°	D88*H80	Φ75	30000
541003270100	LTH0109021-皓-75-圆形侧角-9W-椭圆孔-50°-930	9W	<10	675	3000	>90	50°	D88*H80	Φ75	30000
541003268700	LTH0109021-皓-75-圆形侧角-9W-椭圆孔-50°-935	9W	<10	675	3500	>90	50°	D88*H80	Φ75	30000
541003267500	LTH0109021-皓-75-圆形侧角-9W-椭圆孔-50°-940	9W	<10	675	4000	>90	50°	D88*H80	Φ75	30000
541003289900	LTH0109022-皓-75-方形侧角-9W-黑镜-15°-927	9W	<6	915	2700	>90	15°	88*88*H80	75×75	30000
541003288800	LTH0109022-皓-75-方形侧角-9W-黑镜-15°-930	9W	<6	975	3000	>90	15°	88*88*H80	75×75	30000
541003287800	LTH0109022-皓-75-方形侧角-9W-黑镜-15°-935	9W	<6	975	3500	>90	15°	88*88*H80	75×75	30000
541003286200	LTH0109022-皓-75-方形侧角-9W-黑镜-15°-940	9W	<6	975	4000	>90	15°	88*88*H80	75×75	30000
541003285000	LTH0109022-皓-75-方形侧角-9W-黑镜-24°-927	9W	<9	639	2700	>90	24°	88*88*H80	75×75	30000
541003283200	LTH0109022-皓-75-方形侧角-9W-黑镜-24°-930	9W	<9	675	3000	>90	24°	88*88*H80	75×75	30000
541003281900	LTH0109022-皓-75-方形侧角-9W-黑镜-24°-935	9W	<9	675	3500	>90	24°	88*88*H80	75×75	30000
541003280800	LTH0109022-皓-75-方形侧角-9W-黑镜-24°-940	9W	<9	675	4000	>90	24°	88*88*H80	75×75	30000
541003281500	LTH0109022-皓-75-方形侧角-9W-黑镜-36°-927	9W	<9	639	2700	>90	36°	88*88*H80	75×75	30000
541003280400	LTH0109022-皓-75-方形侧角-9W-黑镜-36°-930	9W	<9	675	3000	>90	36°	88*88*H80	75×75	30000
541003279400	LTH0109022-皓-75-方形侧角-9W-黑镜-36°-935	9W	<9	675	3500	>90	36°	88*88*H80	75×75	30000
541003277800	LTH0109022-皓-75-方形侧角-9W-黑镜-36°-940	9W	<9	675	4000	>90	36°	88*88*H80	75×75	30000
541003276700	LTH0109022-皓-75-方形侧角-9W-黑镜-50°-927	9W	<10	639	2700	>90	50°	88*88*H80	75×75	30000
541003275100	LTH0109022-皓-75-方形侧角-9W-黑镜-50°-930	9W	<10	675	3000	>90	50°	88*88*H80	75×75	30000
541003273900	LTH0109022-皓-75-方形侧角-9W-黑镜-50°-935	9W	<10	675	3500	>90	50°	88*88*H80	75×75	30000
541003272700	LTH0109022-皓-75-方形侧角-9W-黑镜-50°-940	9W	<10	675	4000	>90	50°	88*88*H80	75×75	30000
541003282700	LTH0109023-皓-75-圆形侧角IP44-9W-黑镜-24°-927	9W	<9	639	2700	>90	24°	D88*H80	Φ75	30000
541003281600	LTH0109023-皓-75-圆形侧角IP44-9W-黑镜-24°-930	9W	<9	675	3000	>90	24°	D88*H80	Φ75	30000
541003280500	LTH0109023-皓-75-圆形侧角IP44-9W-黑镜-24°-935	9W	<9	675	3500	>90	24°	D88*H80	Φ75	30000

订购代码

物料代码	物料描述	功率 (W)	UGR	光通量 (lm)	色温 (K)	显色指数	光束角	尺寸 (mm)	开孔尺寸 (mm)	寿命 (L70B50)
541003278900	LTH0109023-皓-75-圆形侧角P44-9W-黑镜-24°-940	9W	<9	675	4000	>90	24°	D88*H80	Φ75	30000
541003263100	LTH0109024-皓-75-圆形下照P44-9W-黑镜-24°-927	9W	<9	639	2700	>90	24°	D88*H80	Φ75	30000
541003262100	LTH0109024-皓-75-圆形下照P44-9W-黑镜-24°-930	9W	<9	675	3000	>90	24°	D88*H80	Φ75	30000
541003260800	LTH0109024-皓-75-圆形下照P44-9W-黑镜-24°-935	9W	<9	675	3500	>90	24°	D88*H80	Φ75	30000
541003338800	LTH0109024-皓-75-圆形下照P44-9W-黑镜-24°-940	9W	<9	675	4000	>90	24°	D88*H80	Φ75	30000
541003342100	LTH01209001-皓-75-双头调角-9W-黑镜-15°-927	2x9W	<6	2x915	2700	>90	15°	160*88*H80	147x75	30000
541003347100	LTH01209001-皓-75-双头调角-9W-黑镜-15°-930	2x9W	<6	2x975	3000	>90	15°	160*88*H80	147x75	30000
541003345600	LTH01209001-皓-75-双头调角-9W-黑镜-15°-935	2x9W	<6	2x975	3500	>90	15°	160*88*H80	147x75	30000
541003344000	LTH01209001-皓-75-双头调角-9W-黑镜-15°-940	2x9W	<6	2x975	4000	>90	15°	160*88*H80	147x75	30000
541003344200	LTH01209001-皓-75-双头调角-9W-黑镜-24°-927	2x9W	<9	2x639	2700	>90	24°	160*88*H80	147x75	30000
541003343000	LTH01209001-皓-75-双头调角-9W-黑镜-24°-930	2x9W	<9	2x675	3000	>90	24°	160*88*H80	147x75	30000
541003347900	LTH01209001-皓-75-双头调角-9W-黑镜-24°-935	2x9W	<9	2x675	3500	>90	24°	160*88*H80	147x75	30000
541003346100	LTH01209001-皓-75-双头调角-9W-黑镜-24°-940	2x9W	<9	2x675	4000	>90	24°	160*88*H80	147x75	30000
541003344700	LTH01209001-皓-75-双头调角-9W-黑镜-36°-927	2x9W	<9	2x639	2700	>90	36°	160*88*H80	147x75	30000
541003342000	LTH01209001-皓-75-双头调角-9W-黑镜-36°-930	2x9W	<9	2x675	3000	>90	36°	160*88*H80	147x75	30000
541003346800	LTH01209001-皓-75-双头调角-9W-黑镜-36°-935	2x9W	<9	2x675	3500	>90	36°	160*88*H80	147x75	30000
541003345200	LTH01209001-皓-75-双头调角-9W-黑镜-36°-940	2x9W	<9	2x675	4000	>90	36°	160*88*H80	147x75	30000
541003343800	LTH01209001-皓-75-双头调角-9W-黑镜-50°-927	2x9W	<10	2x639	2700	>90	50°	160*88*H80	147x75	30000
541003342600	LTH01209001-皓-75-双头调角-9W-黑镜-50°-930	2x9W	<10	2x675	3000	>90	50°	160*88*H80	147x75	30000
541003342800	LTH01209001-皓-75-双头调角-9W-黑镜-50°-935	2x9W	<10	2x675	3500	>90	50°	160*88*H80	147x75	30000
541003347400	LTH01209001-皓-75-双头调角-9W-黑镜-50°-940	2x9W	<10	2x675	4000	>90	50°	160*88*H80	147x75	30000
541003324700	LTH0112018-皓-75-圆形侧角-12W-黑镜-15°-927	12W	<6	592	2700	>90	15°	D88*H88	Φ75	30000
541003322800	LTH0112018-皓-75-圆形侧角-12W-黑镜-15°-930	12W	<6	630	3000	>90	15°	D88*H88	Φ75	30000
541003321900	LTH0112018-皓-75-圆形侧角-12W-黑镜-15°-935	12W	<6	630	3500	>90	15°	D88*H88	Φ75	30000
541003318700	LTH0112018-皓-75-圆形侧角-12W-黑镜-15°-940	12W	<6	630	4000	>90	15°	D88*H88	Φ75	30000
541003319300	LTH0112018-皓-75-圆形侧角-12W-黑镜-24°-927	12W	<9	808	2700	>90	24°	D88*H88	Φ75	30000
541003318100	LTH0112018-皓-75-圆形侧角-12W-黑镜-24°-930	12W	<9	860	3000	>90	24°	D88*H88	Φ75	30000
541003317100	LTH0112018-皓-75-圆形侧角-12W-黑镜-24°-935	12W	<9	860	3500	>90	24°	D88*H88	Φ75	30000
541003315800	LTH0112018-皓-75-圆形侧角-12W-黑镜-24°-940	12W	<9	860	4000	>90	24°	D88*H88	Φ75	30000
541003314200	LTH0112018-皓-75-圆形侧角-12W-黑镜-36°-927	12W	<9	808	2700	>90	36°	D88*H88	Φ75	30000
541003313300	LTH0112018-皓-75-圆形侧角-12W-黑镜-36°-930	12W	<9	860	3000	>90	36°	D88*H88	Φ75	30000
541003312100	LTH0112018-皓-75-圆形侧角-12W-黑镜-36°-935	12W	<9	860	3500	>90	36°	D88*H88	Φ75	30000
541003310500	LTH0112018-皓-75-圆形侧角-12W-黑镜-36°-940	12W	<9	860	4000	>90	36°	D88*H88	Φ75	30000
541003309300	LTH0112018-皓-75-圆形侧角-12W-黑镜-50°-927	12W	<10	808	2700	>90	50°	D88*H88	Φ75	30000
541003307600	LTH0112018-皓-75-圆形侧角-12W-黑镜-50°-930	12W	<10	860	3000	>90	50°	D88*H88	Φ75	30000
541003306600	LTH0112018-皓-75-圆形侧角-12W-黑镜-50°-935	12W	<10	860	3500	>90	50°	D88*H88	Φ75	30000
541003305400	LTH0112018-皓-75-圆形侧角-12W-黑镜-50°-940	12W	<10	860	4000	>90	50°	D88*H88	Φ75	30000
541003330400	LTH0112019-皓-75-圆形下照-12W-黑镜-15°-927	12W	<6	592	2700	>90	15°	D88*H88	Φ75	30000
541003329200	LTH0112019-皓-75-圆形下照-12W-黑镜-15°-930	12W	<6	630	3000	>90	15°	D88*H88	Φ75	30000
541003327900	LTH0112019-皓-75-圆形下照-12W-黑镜-15°-935	12W	<6	630	3500	>90	15°	D88*H88	Φ75	30000
541003326300	LTH0112019-皓-75-圆形下照-12W-黑镜-15°-940	12W	<6	630	4000	>90	15°	D88*H88	Φ75	30000
541003324900	LTH0112019-皓-75-圆形下照-12W-黑镜-24°-927	12W	<9	808	2700	>90	24°	D88*H88	Φ75	30000
541003325900	LTH0112019-皓-75-圆形下照-12W-黑镜-24°-930	12W	<9	860	3000	>90	24°	D88*H88	Φ75	30000
541003324500	LTH0112019-皓-75-圆形下照-12W-黑镜-24°-935	12W	<9	860	3500	>90	24°	D88*H88	Φ75	30000
541003323300	LTH0112019-皓-75-圆形下照-12W-黑镜-24°-940	12W	<9	860	4000	>90	24°	D88*H88	Φ75	30000
541003321800	LTH0112019-皓-75-圆形下照-12W-黑镜-36°-927	12W	<9	808	2700	>90	36°	D88*H88	Φ75	30000
541003320500	LTH0112019-皓-75-圆形下照-12W-黑镜-36°-930	12W	<9	860	3000	>90	36°	D88*H88	Φ75	30000
541003319200	LTH0112019-皓-75-圆形下照-12W-黑镜-36°-935	12W	<9	860	3500	>90	36°	D88*H88	Φ75	30000

欧普照明股份有限公司  
上海市闵行区吴中路1799号万象城V3栋  
邮编 201103

OPPLE LIGHTING CO., LTD.  
V3 Building, The MIXC, Lane 1799, Wuzhong Road,  
Minhang District, Shanghai, China. 201103

客户关爱热线 400-6783-222  
OPPLE.COM

订购代码

物料代码	物料描述	功率 (W)	UGR	光通量 (lm)	色温 (K)	显色指数	光束角	尺寸 (mm)	开孔尺寸 (mm)	寿命 (L70B50)
541003317600	LTH0112019-皓-75-圆形下照-12W-黑镜-36°-940	12W	<9	860	4000	>90	36°	D88*H88	Φ75	30000
541003316300	LTH0112019-皓-75-圆形下照-12W-黑镜-50°-927	12W	<10	808	2700	>90	50°	D88*H88	Φ75	30000
541003314700	LTH0112019-皓-75-圆形下照-12W-黑镜-50°-930	12W	<10	860	3000	>90	50°	D88*H88	Φ75	30000
541003313700	LTH0112019-皓-75-圆形下照-12W-黑镜-50°-935	12W	<10	860	3500	>90	50°	D88*H88	Φ75	30000
541003312500	LTH0112019-皓-75-圆形下照-12W-黑镜-50°-940	12W	<10	860	4000	>90	50°	D88*H88	Φ75	30000
541003337900	LTH0112020-皓-75-圆形下照-12W-小孔-15°-927	12W	<6	592	2700	>90	15°	D88*H88	Φ75	30000
541003336700	LTH0112020-皓-75-圆形下照-12W-小孔-15°-930	12W	<6	630	3000	>90	15°	D88*H88	Φ75	30000
541003335600	LTH0112020-皓-75-圆形下照-12W-小孔-15°-935	12W	<6	630	3500	>90	15°	D88*H88	Φ75	30000
541003334000	LTH0112020-皓-75-圆形下照-12W-小孔-15°-940	12W	<6	630	4000	>90	15°	D88*H88	Φ75	30000
541003332600	LTH0112020-皓-75-圆形下照-12W-小孔-24°-927	12W	<9	808	2700	>90	24°	D88*H88	Φ75	30000
541003333500	LTH0112020-皓-75-圆形下照-12W-小孔-24°-930	12W	<9	860	3000	>90	24°	D88*H88	Φ75	30000
541003332100	LTH0112020-皓-75-圆形下照-12W-小孔-24°-935	12W	<9	860	3500	>90	24°	D88*H88	Φ75	30000
541003330900	LTH0112020-皓-75-圆形下照-12W-小孔-24°-940	12W	<9	860	4000	>90	24°	D88*H88	Φ75	30000
541003329400	LTH0112020-皓-75-圆形下照-12W-小孔-36°-927	12W	<9	808	2700	>90	36°	D88*H88	Φ75	30000
541003328200	LTH0112020-皓-75-圆形下照-12W-小孔-36°-930	12W	<9	860	3000	>90	36°	D88*H88	Φ75	30000
541003327000	LTH0112020-皓-75-圆形下照-12W-小孔-36°-935	12W	<9	860	3500	>90	36°	D88*H88	Φ75	30000
541003325200	LTH0112020-皓-75-圆形下照-12W-小孔-36°-940	12W	<9	860	4000	>90	36°	D88*H88	Φ75	30000
541003323800	LTH0112020-皓-75-圆形下照-12W-小孔-50°-927	12W	<10	808	2700	>90	50°	D88*H88	Φ75	30000
541003322300	LTH0112020-皓-75-圆形下照-12W-小孔-50°-930	12W	<10	860	3000	>90	50°	D88*H88	Φ75	30000
541003321100	LTH0112020-皓-75-圆形下照-12W-小孔-50°-935	12W	<10	860	3500	>90	50°	D88*H88	Φ75	30000
541003319800	LTH0112020-皓-75-圆形下照-12W-小孔-50°-940	12W	<10	860	4000	>90	50°	D88*H88	Φ75	30000
541003265800	LTH0112021-皓-75-圆形调角-12W-椭圆孔-15°-927	12W	<6	592	2700	>90	15°	D88*H88	Φ75	30000
541003264500	LTH0112021-皓-75-圆形调角-12W-椭圆孔-15°-930	12W	<6	630	3000	>90	15°	D88*H88	Φ75	30000
541003263500	LTH0112021-皓-75-圆形调角-12W-椭圆孔-15°-935	12W	<6	630	3500	>90	15°	D88*H88	Φ75	30000
541003261700	LTH0112021-皓-75-圆形调角-12W-椭圆孔-15°-940	12W	<6	630	4000	>90	15°	D88*H88	Φ75	30000
541003260400	LTH0112021-皓-75-圆形调角-12W-椭圆孔-24°-927	12W	<9	808	2700	>90	24°	D88*H88	Φ75	30000
541003338700	LTH0112021-皓-75-圆形调角-12W-椭圆孔-24°-930	12W	<9	860	3000	>90	24°	D88*H88	Φ75	30000
541003338600	LTH0112021-皓-75-圆形调角-12W-椭圆孔-24°-935	12W	<9	860	3500	>90	24°	D88*H88	Φ75	30000
541003335200	LTH0112021-皓-75-圆形调角-12W-椭圆孔-24°-940	12W	<9	860	4000	>90	24°	D88*H88	Φ75	30000
541003334200	LTH0112021-皓-75-圆形调角-12W-椭圆孔-36°-927	12W	<9	808	2700	>90	36°	D88*H88	Φ75	30000
541003332800	LTH0112021-皓-75-圆形调角-12W-椭圆孔-36°-930	12W	<9	860	3000	>90	36°	D88*H88	Φ75	30000
541003333700	LTH0112021-皓-75-圆形调角-12W-椭圆孔-36°-935	12W	<9	860	3500	>90	36°	D88*H88	Φ75	30000
541003330200	LTH0112021-皓-75-圆形调角-12W-椭圆孔-36°-940	12W	<9	860	4000	>90	36°	D88*H88	Φ75	30000
541003328900	LTH0112021-皓-75-圆形调角-12W-椭圆孔-50°-927	12W	<10	808	2700	>90	50°	D88*H88	Φ75	30000
541003329700	LTH0112021-皓-75-圆形调角-12W-椭圆孔-50°-930	12W	<10	860	3000	>90	50°	D88*H88	Φ75	30000
541003328500	LTH0112021-皓-75-圆形调角-12W-椭圆孔-50°-935	12W	<10	860	3500	>90	50°	D88*H88	Φ75	30000
541003327400	LTH0112021-皓-75-圆形调角-12W-椭圆孔-50°-940	12W	<10	860	4000	>90	50°	D88*H88	Φ75	30000
541003270800	LTH0112022-皓-75-方形调角-12W-黑镜-15°-927	12W	<6	592	2700	>90	15°	88*88*H88	75×75	30000
541003269500	LTH0112022-皓-75-方形调角-12W-黑镜-15°-930	12W	<6	630	3000	>90	15°	88*88*H88	75×75	30000
541003268200	LTH0112022-皓-75-方形调角-12W-黑镜-15°-935	12W	<6	630	3500	>90	15°	88*88*H88	75×75	30000
541003269000	LTH0112022-皓-75-方形调角-12W-黑镜-15°-940	12W	<6	630	4000	>90	15°	88*88*H88	75×75	30000
541003267800	LTH0112022-皓-75-方形调角-12W-黑镜-24°-927	12W	<9	808	2700	>90	24°	88*88*H88	75×75	30000
541003266100	LTH0112022-皓-75-方形调角-12W-黑镜-24°-930	12W	<9	860	3000	>90	24°	88*88*H88	75×75	30000
541003264700	LTH0112022-皓-75-方形调角-12W-黑镜-24°-935	12W	<9	860	3500	>90	24°	88*88*H88	75×75	30000
541003263700	LTH0112022-皓-75-方形调角-12W-黑镜-24°-940	12W	<9	860	4000	>90	24°	88*88*H88	75×75	30000
541003262000	LTH0112022-皓-75-方形调角-12W-黑镜-36°-927	12W	<9	808	2700	>90	36°	88*88*H88	75×75	30000
541003260700	LTH0112022-皓-75-方形调角-12W-黑镜-36°-930	12W	<9	860	3000	>90	36°	88*88*H88	75×75	30000
541003339300	LTH0112022-皓-75-方形调角-12W-黑镜-36°-935	12W	<9	860	3500	>90	36°	88*88*H88	75×75	30000

欧普照明股份有限公司  
上海市闵行区吴中路1799号万象城V3栋  
邮编 201103

OPPLE LIGHTING CO., LTD.  
V3 Building, The MIXC, Lane 1799, Wuzhong Road,  
Minhang District, Shanghai, China. 201103

客户关爱热线 400-6783-222  
OPPLE.COM



订购代码

物料代码	物料描述	功率 (W)	UGR	光通量 (lm)	色温 (K)	显色指数	光束角	尺寸 (mm)	开孔尺寸 (mm)	寿命 (L70B50)
541003337500	LTH0112022-皓-75-方形调角-12W-黑镜-36°-940	12W	<9	860	4000	>90	36°	88*88*H88	75×75	30000
541003336300	LTH0112022-皓-75-方形调角-12W-黑镜-50°-927	12W	<10	808	2700	>90	50°	88*88*H88	75×75	30000
541003337100	LTH0112022-皓-75-方形调角-12W-黑镜-50°-930	12W	<10	860	3000	>90	50°	88*88*H88	75×75	30000
541003335900	LTH0112022-皓-75-方形调角-12W-黑镜-50°-935	12W	<10	860	3500	>90	50°	88*88*H88	75×75	30000
541003335000	LTH0112022-皓-75-方形调角-12W-黑镜-50°-940	12W	<10	860	4000	>90	50°	88*88*H88	75×75	30000
541003277900	LTH0112023-皓-75-圆形调角P44-12W-黑镜-24°-927	12W	<9	808	2700	>90	24°	D88*H88	Φ75	30000
541003276800	LTH0112023-皓-75-圆形调角P44-12W-黑镜-24°-930	12W	<9	860	3000	>90	24°	D88*H88	Φ75	30000
541003275200	LTH0112023-皓-75-圆形调角P44-12W-黑镜-24°-935	12W	<9	860	3500	>90	24°	D88*H88	Φ75	30000
541003274000	LTH0112023-皓-75-圆形调角P44-12W-黑镜-24°-940	12W	<9	860	4000	>90	24°	D88*H88	Φ75	30000
541003345900	LTH01212001-皓-75-双头调角-12W-黑镜-15°-927	2x12W	<6	2×592	2700	>90	15°	160*88*H88	147×75	30000
541003344600	LTH01212001-皓-75-双头调角-12W-黑镜-15°-930	2x12W	<6	2×630	3000	>90	15°	160*88*H88	147×75	30000
541003343300	LTH01212001-皓-75-双头调角-12W-黑镜-15°-935	2x12W	<6	2×630	3500	>90	15°	160*88*H88	147×75	30000
541003348000	LTH01212001-皓-75-双头调角-12W-黑镜-15°-940	2x12W	<6	2×630	4000	>90	15°	160*88*H88	147×75	30000
541003344900	LTH01212001-皓-75-双头调角-12W-黑镜-24°-927	2x12W	<9	2×808	2700	>90	24°	160*88*H88	147×75	30000
541003343700	LTH01212001-皓-75-双头调角-12W-黑镜-24°-930	2x12W	<9	2×860	3000	>90	24°	160*88*H88	147×75	30000
541003342300	LTH01212001-皓-75-双头调角-12W-黑镜-24°-935	2x12W	<9	2×860	3500	>90	24°	160*88*H88	147×75	30000
541003347000	LTH01212001-皓-75-双头调角-12W-黑镜-24°-940	2x12W	<9	2×860	4000	>90	24°	160*88*H88	147×75	30000
541003345500	LTH01212001-皓-75-双头调角-12W-黑镜-36°-927	2x12W	<9	2×808	2700	>90	36°	160*88*H88	147×75	30000
541003345800	LTH01212001-皓-75-双头调角-12W-黑镜-36°-930	2x12W	<9	2×860	3000	>90	36°	160*88*H88	147×75	30000
541003344400	LTH01212001-皓-75-双头调角-12W-黑镜-36°-935	2x12W	<9	2×860	3500	>90	36°	160*88*H88	147×75	30000
541003342900	LTH01212001-皓-75-双头调角-12W-黑镜-36°-940	2x12W	<9	2×860	4000	>90	36°	160*88*H88	147×75	30000
541003347800	LTH01212001-皓-75-双头调角-12W-黑镜-50°-927	2x12W	<10	2×808	2700	>90	50°	160*88*H88	147×75	30000
541003346400	LTH01212001-皓-75-双头调角-12W-黑镜-50°-930	2x12W	<10	2×860	3000	>90	50°	160*88*H88	147×75	30000
541003343500	LTH01212001-皓-75-双头调角-12W-黑镜-50°-935	2x12W	<10	2×860	3500	>90	50°	160*88*H88	147×75	30000
541003341800	LTH01212001-皓-75-双头调角-12W-黑镜-50°-940	2x12W	<10	2×860	4000	>90	50°	160*88*H88	147×75	30000
541003306200	LTH0115018-皓-75-圆形调角-15W-黑镜-15°-927	15W	<6	705	2700	>90	15°	D88*H88	Φ75	30000
541003305000	LTH0115018-皓-75-圆形调角-15W-黑镜-15°-930	15W	<6	750	3000	>90	15°	D88*H88	Φ75	30000
541003303800	LTH0115018-皓-75-圆形调角-15W-黑镜-15°-935	15W	<6	750	3500	>90	15°	D88*H88	Φ75	30000
541003302400	LTH0115018-皓-75-圆形调角-15W-黑镜-15°-940	15W	<6	750	4000	>90	15°	D88*H88	Φ75	30000
541003301100	LTH0115018-皓-75-圆形调角-15W-黑镜-24°-927	15W	<9	968	2700	>90	24°	D88*H88	Φ75	30000
541003299500	LTH0115018-皓-75-圆形调角-15W-黑镜-24°-930	15W	<9	1030	3000	>90	24°	D88*H88	Φ75	30000
541003298600	LTH0115018-皓-75-圆形调角-15W-黑镜-24°-935	15W	<9	1030	3500	>90	24°	D88*H88	Φ75	30000
541003297300	LTH0115018-皓-75-圆形调角-15W-黑镜-24°-940	15W	<9	1030	4000	>90	24°	D88*H88	Φ75	30000
541003295600	LTH0115018-皓-75-圆形调角-15W-黑镜-36°-927	15W	<9	968	2700	>90	36°	D88*H88	Φ75	30000
541003294600	LTH0115018-皓-75-圆形调角-15W-黑镜-36°-930	15W	<9	1030	3000	>90	36°	D88*H88	Φ75	30000
541003293200	LTH0115018-皓-75-圆形调角-15W-黑镜-36°-935	15W	<9	1030	3500	>90	36°	D88*H88	Φ75	30000
541003294100	LTH0115018-皓-75-圆形调角-15W-黑镜-36°-940	15W	<9	1030	4000	>90	36°	D88*H88	Φ75	30000
541003292800	LTH0115018-皓-75-圆形调角-15W-黑镜-50°-927	15W	<10	968	2700	>90	50°	D88*H88	Φ75	30000
541003291100	LTH0115018-皓-75-圆形调角-15W-黑镜-50°-930	15W	<10	1030	3000	>90	50°	D88*H88	Φ75	30000
541003290100	LTH0115018-皓-75-圆形调角-15W-黑镜-50°-935	15W	<10	1030	3500	>90	50°	D88*H88	Φ75	30000
541003289000	LTH0115018-皓-75-圆形调角-15W-黑镜-50°-940	15W	<10	1030	4000	>90	50°	D88*H88	Φ75	30000
541003313400	LTH0115019-皓-75-圆形下照-15W-黑镜-15°-927	15W	<6	705	2700	>90	15°	D88*H88	Φ75	30000
541003312300	LTH0115019-皓-75-圆形下照-15W-黑镜-15°-930	15W	<6	750	3000	>90	15°	D88*H88	Φ75	30000
541003311100	LTH0115019-皓-75-圆形下照-15W-黑镜-15°-935	15W	<6	750	3500	>90	15°	D88*H88	Φ75	30000
541003309500	LTH0115019-皓-75-圆形下照-15W-黑镜-15°-940	15W	<6	750	4000	>90	15°	D88*H88	Φ75	30000
541003308300	LTH0115019-皓-75-圆形下照-15W-黑镜-24°-927	15W	<9	968	2700	>90	24°	D88*H88	Φ75	30000
541003306700	LTH0115019-皓-75-圆形下照-15W-黑镜-24°-930	15W	<9	1030	3000	>90	24°	D88*H88	Φ75	30000
541003305600	LTH0115019-皓-75-圆形下照-15W-黑镜-24°-935	15W	<9	1030	3500	>90	24°	D88*H88	Φ75	30000

欧普照明股份有限公司  
上海市闵行区吴中路1799号万象城V3栋  
邮编 201103

OPPLE LIGHTING CO., LTD.  
V3 Building, The MIXC, Lane 1799, Wuzhong Road,  
Minhang District, Shanghai, China. 201103

客户关爱热线 400-6783-222  
OPPLE.COM

订购代码

物料代码	物料描述	功率 (W)	UGR	光通量 (lm)	色温 (K)	显色指数	光束角	尺寸 (mm)	开孔尺寸 (mm)	寿命 (L70B50)
541003304200	LTH0115019-皓-75-圆形下照-15W-黑镜-24°-940	15W	<9	1030	4000	>90	24°	D88*H88	Φ75	30000
541003302700	LTH0115019-皓-75-圆形下照-15W-黑镜-36°-927	15W	<9	968	2700	>90	36°	D88*H88	Φ75	30000
541003301700	LTH0115019-皓-75-圆形下照-15W-黑镜-36°-930	15W	<9	1030	3000	>90	36°	D88*H88	Φ75	30000
541003300500	LTH0115019-皓-75-圆形下照-15W-黑镜-36°-935	15W	<9	1030	3500	>90	36°	D88*H88	Φ75	30000
541003301300	LTH0115019-皓-75-圆形下照-15W-黑镜-36°-940	15W	<9	1030	4000	>90	36°	D88*H88	Φ75	30000
541003300200	LTH0115019-皓-75-圆形下照-15W-黑镜-50°-927	15W	<10	968	2700	>90	50°	D88*H88	Φ75	30000
541003298700	LTH0115019-皓-75-圆形下照-15W-黑镜-50°-930	15W	<10	1030	3000	>90	50°	D88*H88	Φ75	30000
541003297500	LTH0115019-皓-75-圆形下照-15W-黑镜-50°-935	15W	<10	1030	3500	>90	50°	D88*H88	Φ75	30000
541003296100	LTH0115019-皓-75-圆形下照-15W-黑镜-50°-940	15W	<10	1030	4000	>90	50°	D88*H88	Φ75	30000
541003320700	LTH0115020-皓-75-圆形下照-15W-小孔-15°-927	15W	<6	705	2700	>90	15°	D88*H88	Φ75	30000
541003319500	LTH0115020-皓-75-圆形下照-15W-小孔-15°-930	15W	<6	750	3000	>90	15°	D88*H88	Φ75	30000
541003318300	LTH0115020-皓-75-圆形下照-15W-小孔-15°-935	15W	<6	750	3500	>90	15°	D88*H88	Φ75	30000
541003316500	LTH0115020-皓-75-圆形下照-15W-小孔-15°-940	15W	<6	750	4000	>90	15°	D88*H88	Φ75	30000
541003315200	LTH0115020-皓-75-圆形下照-15W-小孔-24°-927	15W	<9	968	2700	>90	24°	D88*H88	Φ75	30000
541003313800	LTH0115020-皓-75-圆形下照-15W-小孔-24°-930	15W	<9	1030	3000	>90	24°	D88*H88	Φ75	30000
541003312700	LTH0115020-皓-75-圆形下照-15W-小孔-24°-935	15W	<9	1030	3500	>90	24°	D88*H88	Φ75	30000
541003311500	LTH0115020-皓-75-圆形下照-15W-小孔-24°-940	15W	<9	1030	4000	>90	24°	D88*H88	Φ75	30000
541003310000	LTH0115020-皓-75-圆形下照-15W-小孔-36°-927	15W	<9	968	2700	>90	36°	D88*H88	Φ75	30000
541003308900	LTH0115020-皓-75-圆形下照-15W-小孔-36°-930	15W	<9	1030	3000	>90	36°	D88*H88	Φ75	30000
541003307800	LTH0115020-皓-75-圆形下照-15W-小孔-36°-935	15W	<9	1030	3500	>90	36°	D88*H88	Φ75	30000
541003308500	LTH0115020-皓-75-圆形下照-15W-小孔-36°-940	15W	<9	1030	4000	>90	36°	D88*H88	Φ75	30000
541003307300	LTH0115020-皓-75-圆形下照-15W-小孔-50°-927	15W	<10	968	2700	>90	50°	D88*H88	Φ75	30000
541003305700	LTH0115020-皓-75-圆形下照-15W-小孔-50°-930	15W	<10	1030	3000	>90	50°	D88*H88	Φ75	30000
541003304400	LTH0115020-皓-75-圆形下照-15W-小孔-50°-935	15W	<10	1030	3500	>90	50°	D88*H88	Φ75	30000
541003303300	LTH0115020-皓-75-圆形下照-15W-小孔-50°-940	15W	<10	1030	4000	>90	50°	D88*H88	Φ75	30000
541003325600	LTH0115021-皓-75-圆形斜角-15W-椭圆孔-15°-927	15W	<6	705	2700	>90	15°	D88*H88	Φ75	30000
541003324200	LTH0115021-皓-75-圆形斜角-15W-椭圆孔-15°-930	15W	<6	750	3000	>90	15°	D88*H88	Φ75	30000
541003323100	LTH0115021-皓-75-圆形斜角-15W-椭圆孔-15°-935	15W	<6	750	3500	>90	15°	D88*H88	Φ75	30000
541003321500	LTH0115021-皓-75-圆形斜角-15W-椭圆孔-15°-940	15W	<6	750	4000	>90	15°	D88*H88	Φ75	30000
541003320200	LTH0115021-皓-75-圆形斜角-15W-椭圆孔-24°-927	15W	<9	968	2700	>90	24°	D88*H88	Φ75	30000
541003318400	LTH0115021-皓-75-圆形斜角-15W-椭圆孔-24°-930	15W	<9	1030	3000	>90	24°	D88*H88	Φ75	30000
541003317300	LTH0115021-皓-75-圆形斜角-15W-椭圆孔-24°-935	15W	<9	1030	3500	>90	24°	D88*H88	Φ75	30000
541003316100	LTH0115021-皓-75-圆形斜角-15W-椭圆孔-24°-940	15W	<9	1030	4000	>90	24°	D88*H88	Φ75	30000
541003316900	LTH0115021-皓-75-圆形斜角-15W-椭圆孔-36°-927	15W	<9	968	2700	>90	36°	D88*H88	Φ75	30000
541003315600	LTH0115021-皓-75-圆形斜角-15W-椭圆孔-36°-930	15W	<9	1030	3000	>90	36°	D88*H88	Φ75	30000
541003314600	LTH0115021-皓-75-圆形斜角-15W-椭圆孔-36°-935	15W	<9	1030	3500	>90	36°	D88*H88	Φ75	30000
541003313100	LTH0115021-皓-75-圆形斜角-15W-椭圆孔-36°-940	15W	<9	1030	4000	>90	36°	D88*H88	Φ75	30000
541003311900	LTH0115021-皓-75-圆形斜角-15W-椭圆孔-50°-927	15W	<10	968	2700	>90	50°	D88*H88	Φ75	30000
541003310300	LTH0115021-皓-75-圆形斜角-15W-椭圆孔-50°-930	15W	<10	1030	3000	>90	50°	D88*H88	Φ75	30000
541003309100	LTH0115021-皓-75-圆形斜角-15W-椭圆孔-50°-935	15W	<10	1030	3500	>90	50°	D88*H88	Φ75	30000
541003308000	LTH0115021-皓-75-圆形斜角-15W-椭圆孔-50°-940	15W	<10	1030	4000	>90	50°	D88*H88	Φ75	30000
541003333200	LTH0115022-皓-75-方形斜角-15W-黑镜-15°-927	15W	<6	705	2700	>90	15°	88*88*H88	75×75	30000
541003331600	LTH0115022-皓-75-方形斜角-15W-黑镜-15°-930	15W	<6	750	3000	>90	15°	88*88*H88	75×75	30000
541003330700	LTH0115022-皓-75-方形斜角-15W-黑镜-15°-935	15W	<6	750	3500	>90	15°	88*88*H88	75×75	30000
541003329100	LTH0115022-皓-75-方形斜角-15W-黑镜-15°-940	15W	<6	750	4000	>90	15°	88*88*H88	75×75	30000
541003327800	LTH0115022-皓-75-方形斜角-15W-黑镜-24°-927	15W	<9	968	2700	>90	24°	88*88*H88	75×75	30000
541003326200	LTH0115022-皓-75-方形斜角-15W-黑镜-24°-930	15W	<9	1030	3000	>90	24°	88*88*H88	75×75	30000
541003324800	LTH0115022-皓-75-方形斜角-15W-黑镜-24°-935	15W	<9	1030	3500	>90	24°	88*88*H88	75×75	30000

欧普照明股份有限公司  
上海市闵行区吴中路1799号万象城V3栋  
邮编 201103

OPPLE LIGHTING CO., LTD.  
V3 Building, The MIXC, Lane 1799, Wuzhong Road,  
Minhang District, Shanghai, China. 201103

客户关爱热线 400-6783-222  
OPPLE.COM

订购代码

物料代码	物料描述	功率 (W)	UGR	光通量 (lm)	色温 (K)	显色指数	光束角	尺寸 (mm)	开孔尺寸 (mm)	寿命 (L70B50)
541003323600	LTH0115022-皓-75-方形调角-15W-黑镜-24°-940	15W	<9	1030	4000	>90	24°	88*88*H88	75×75	30000
541003324400	LTH0115022-皓-75-方形调角-15W-黑镜-36°-927	15W	<9	968	2700	>90	36°	88*88*H88	75×75	30000
541003323200	LTH0115022-皓-75-方形调角-15W-黑镜-36°-930	15W	<9	1030	3000	>90	36°	88*88*H88	75×75	30000
541003322200	LTH0115022-皓-75-方形调角-15W-黑镜-36°-935	15W	<9	1030	3500	>90	36°	88*88*H88	75×75	30000
541003320400	LTH0115022-皓-75-方形调角-15W-黑镜-36°-940	15W	<9	1030	4000	>90	36°	88*88*H88	75×75	30000
541003319100	LTH0115022-皓-75-方形调角-15W-黑镜-50°-927	15W	<10	968	2700	>90	50°	88*88*H88	75×75	30000
541003317500	LTH0115022-皓-75-方形调角-15W-黑镜-50°-930	15W	<10	1030	3000	>90	50°	88*88*H88	75×75	30000
541003316200	LTH0115022-皓-75-方形调角-15W-黑镜-50°-935	15W	<10	1030	3500	>90	50°	88*88*H88	75×75	30000
541003315000	LTH0115022-皓-75-方形调角-15W-黑镜-50°-940	15W	<10	1030	4000	>90	50°	88*88*H88	75×75	30000
541003346700	LTH01215001-皓-75-双头调角-15W-黑镜-15°-927	2x15W	<6	2×705	2700	>90	15°	160*88*H88	147×75	30000
541003345400	LTH01215001-皓-75-双头调角-15W-黑镜-15°-930	2x15W	<6	2×750	3000	>90	15°	160*88*H88	147×75	30000
541003344100	LTH01215001-皓-75-双头调角-15W-黑镜-15°-935	2x15W	<6	2×750	3500	>90	15°	160*88*H88	147×75	30000
541003342400	LTH01215001-皓-75-双头调角-15W-黑镜-15°-940	2x15W	<6	2×750	4000	>90	15°	160*88*H88	147×75	30000
541003342700	LTH01215001-皓-75-双头调角-15W-黑镜-24°-927	2x15W	<9	2×968	2700	>90	24°	160*88*H88	147×75	30000
541003347700	LTH01215001-皓-75-双头调角-15W-黑镜-24°-930	2x15W	<9	2×1030	3000	>90	24°	160*88*H88	147×75	30000
541003346300	LTH01215001-皓-75-双头调角-15W-黑镜-24°-935	2x15W	<9	2×1030	3500	>90	24°	160*88*H88	147×75	30000
541003344500	LTH01215001-皓-75-双头调角-15W-黑镜-24°-940	2x15W	<9	2×1030	4000	>90	24°	160*88*H88	147×75	30000
541003343200	LTH01215001-皓-75-双头调角-15W-黑镜-36°-927	2x15W	<9	2×968	2700	>90	36°	160*88*H88	147×75	30000
541003346600	LTH01215001-皓-75-双头调角-15W-黑镜-36°-930	2x15W	<9	2×1030	3000	>90	36°	160*88*H88	147×75	30000
541003345300	LTH01215001-皓-75-双头调角-15W-黑镜-36°-935	2x15W	<9	2×1030	3500	>90	36°	160*88*H88	147×75	30000
541003343600	LTH01215001-皓-75-双头调角-15W-黑镜-36°-940	2x15W	<9	2×1030	4000	>90	36°	160*88*H88	147×75	30000
541003342200	LTH01215001-皓-75-双头调角-15W-黑镜-50°-927	2x15W	<10	2×968	2700	>90	50°	160*88*H88	147×75	30000
541003347300	LTH01215001-皓-75-双头调角-15W-黑镜-50°-930	2x15W	<10	2×1030	3000	>90	50°	160*88*H88	147×75	30000
541003347500	LTH01215001-皓-75-双头调角-15W-黑镜-50°-935	2x15W	<10	2×1030	3500	>90	50°	160*88*H88	147×75	30000
541003345700	LTH01215001-皓-75-双头调角-15W-黑镜-50°-940	2x15W	<10	2×1030	4000	>90	50°	160*88*H88	147×75	30000
541003272100	LTH0115023-皓-75-圆形调角P44-15W-黑镜-24°-927	15W	<9	968	2700	>90	24°	D88*H88	Φ75	30000
541003270900	LTH0115023-皓-75-圆形调角P44-15W-黑镜-24°-930	15W	<9	1030	3000	>90	24°	D88*H88	Φ75	30000
541003269600	LTH0115023-皓-75-圆形调角P44-15W-黑镜-24°-935	15W	<9	1030	3500	>90	24°	D88*H88	Φ75	30000
541003270400	LTH0115023-皓-75-圆形调角P44-15W-黑镜-24°-940	15W	<9	1030	4000	>90	24°	D88*H88	Φ75	30000
541003337600	LTH0112024-皓-75-圆形下照P44-12W-黑镜-24°-927	15W	<9	808	2700	>90	24°	D88*H88	Φ75	30000
541003336400	LTH0112024-皓-75-圆形下照P44-12W-黑镜-24°-930	15W	<9	860	3000	>90	24°	D88*H88	Φ75	30000
541003337200	LTH0112024-皓-75-圆形下照P44-12W-黑镜-24°-935	15W	<9	860	3500	>90	24°	D88*H88	Φ75	30000
541003336000	LTH0112024-皓-75-圆形下照P44-12W-黑镜-24°-940	15W	<9	860	4000	>90	24°	D88*H88	Φ75	30000
541003334600	LTH0115024-皓-75-圆形下照P44-15W-黑镜-24°-927	15W	<9	968	2700	>90	24°	D88*H88	Φ75	30000
541003333300	LTH0115024-皓-75-圆形下照P44-15W-黑镜-24°-930	15W	<9	1030	3000	>90	24°	D88*H88	Φ75	30000
541003331800	LTH0115024-皓-75-圆形下照P44-15W-黑镜-24°-935	15W	<9	1030	3500	>90	24°	D88*H88	Φ75	30000
541003330300	LTH0115024-皓-75-圆形下照P44-15W-黑镜-24°-940	15W	<9	1030	4000	>90	24°	D88*H88	Φ75	30000
541003328000	LTH0115018T-皓-75-圆形调角-12W-黑镜-27/57-DIM	15W	<9	/	2700-5700	>90	24°	D88*H88	Φ75	30000
541003326400	LTH0115022T-皓-75-方形调角-12W-黑镜-27/57-DIM	15W	<9	/	2700-5700	>90	24°	88*88*H80	75×75	30000
541003313600	LTH0120018-皓-100-圆形调角-20W-黑镜-15°-927	20W	<6	1316	2700	>90	15°	D113*H110	Φ100	30000
541003312400	LTH0120018-皓-100-圆形调角-20W-黑镜-15°-930	20W	<6	1400	3000	>90	15°	D113*H110	Φ100	30000
541003311300	LTH0120018-皓-100-圆形调角-20W-黑镜-15°-935	20W	<6	1400	3500	>90	15°	D113*H110	Φ100	30000
541003312200	LTH0120018-皓-100-圆形调角-20W-黑镜-15°-940	20W	<6	1400	4000	>90	15°	D113*H110	Φ100	30000
541003311000	LTH0120018-皓-100-圆形调角-20W-黑镜-24°-927	20W	<9	1504	2700	>90	24°	D113*H110	Φ100	30000
541003309400	LTH0120018-皓-100-圆形调角-20W-黑镜-24°-930	20W	<9	1600	3000	>90	24°	D113*H110	Φ100	30000
541003308100	LTH0120018-皓-100-圆形调角-20W-黑镜-24°-935	20W	<9	1600	3500	>90	24°	D113*H110	Φ100	30000
541003307000	LTH0120018-皓-100-圆形调角-20W-黑镜-24°-940	20W	<9	1600	4000	>90	24°	D113*H110	Φ100	30000
541003305500	LTH0120018-皓-100-圆形调角-20W-黑镜-36°-927	20W	<9	1504	2700	>90	36°	D113*H110	Φ100	30000

订购代码

物料代码	物料描述	功率 (W)	UGR	光通量 (lm)	色温 (K)	显色指数	光束角	尺寸 (mm)	开孔尺寸 (mm)	寿命 (L70B50)
541003304100	LTH0120018-皓-100-圆形侧角-20W-黑镜-36°-930	20W	<9	1600	3000	>90	36°	D113*H110	Φ100	30000
541003303000	LTH0120018-皓-100-圆形侧角-20W-黑镜-36°-935	20W	<9	1600	3500	>90	36°	D113*H110	Φ100	30000
541003301600	LTH0120018-皓-100-圆形侧角-20W-黑镜-36°-940	20W	<9	1600	4000	>90	36°	D113*H110	Φ100	30000
541003300400	LTH0120018-皓-100-圆形侧角-20W-黑镜-50°-927	20W	<10	1504	2700	>90	50°	D113*H110	Φ100	30000
541003301200	LTH0120018-皓-100-圆形侧角-20W-黑镜-50°-930	20W	<10	1600	3000	>90	50°	D113*H110	Φ100	30000
541003300100	LTH0120018-皓-100-圆形侧角-20W-黑镜-50°-935	20W	<10	1600	3500	>90	50°	D113*H110	Φ100	30000
541003299100	LTH0120018-皓-100-圆形侧角-20W-黑镜-50°-940	20W	<10	1600	4000	>90	50°	D113*H110	Φ100	30000
541003278400	LTH0120019-皓-100-圆形下照-20W-黑镜-15°-927	20W	<6	1316	2700	>90	15°	D113*H110	Φ100	30000
541003277200	LTH0120019-皓-100-圆形下照-20W-黑镜-15°-930	20W	<6	1400	3000	>90	15°	D113*H110	Φ100	30000
541003276100	LTH0120019-皓-100-圆形下照-20W-黑镜-15°-935	20W	<6	1400	3500	>90	15°	D113*H110	Φ100	30000
541003277000	LTH0120019-皓-100-圆形下照-20W-黑镜-15°-940	20W	<6	1400	4000	>90	15°	D113*H110	Φ100	30000
541003275800	LTH0120019-皓-100-圆形下照-20W-黑镜-24°-927	20W	<9	1504	2700	>90	24°	D113*H110	Φ100	30000
541003274200	LTH0120019-皓-100-圆形下照-20W-黑镜-24°-930	20W	<9	1600	3000	>90	24°	D113*H110	Φ100	30000
541003272800	LTH0120019-皓-100-圆形下照-20W-黑镜-24°-935	20W	<9	1600	3500	>90	24°	D113*H110	Φ100	30000
541003271600	LTH0120019-皓-100-圆形下照-20W-黑镜-24°-940	20W	<9	1600	4000	>90	24°	D113*H110	Φ100	30000
541003269800	LTH0120019-皓-100-圆形下照-20W-黑镜-36°-927	20W	<9	1504	2700	>90	36°	D113*H110	Φ100	30000
541003268300	LTH0120019-皓-100-圆形下照-20W-黑镜-36°-930	20W	<9	1600	3000	>90	36°	D113*H110	Φ100	30000
541003267200	LTH0120019-皓-100-圆形下照-20W-黑镜-36°-935	20W	<9	1600	3500	>90	36°	D113*H110	Φ100	30000
541003265500	LTH0120019-皓-100-圆形下照-20W-黑镜-36°-940	20W	<9	1600	4000	>90	36°	D113*H110	Φ100	30000
541003264200	LTH0120019-皓-100-圆形下照-20W-黑镜-50°-927	20W	<10	1504	2700	>90	50°	D113*H110	Φ100	30000
541003265100	LTH0120019-皓-100-圆形下照-20W-黑镜-50°-930	20W	<10	1600	3000	>90	50°	D113*H110	Φ100	30000
541003263800	LTH0120019-皓-100-圆形下照-20W-黑镜-50°-935	20W	<10	1600	3500	>90	50°	D113*H110	Φ100	30000
541003262800	LTH0120019-皓-100-圆形下照-20W-黑镜-50°-940	20W	<10	1600	4000	>90	50°	D113*H110	Φ100	30000
541003261100	LTH0125019-皓-100-圆形下照-25W-黑镜-15°-927	25W	<6	1222	2700	>90	15°	D113*H110	Φ100	30000
541003339400	LTH0125019-皓-100-圆形下照-25W-黑镜-15°-930	25W	<6	1300	3000	>90	15°	D113*H110	Φ100	30000
541003338300	LTH0125019-皓-100-圆形下照-25W-黑镜-15°-935	25W	<6	1300	3500	>90	15°	D113*H110	Φ100	30000
541003336600	LTH0125019-皓-100-圆形下照-25W-黑镜-15°-940	25W	<6	1300	4000	>90	15°	D113*H110	Φ100	30000
541003335500	LTH0125019-皓-100-圆形下照-25W-黑镜-24°-927	25W	<9	1880	2700	>90	24°	D113*H110	Φ100	30000
541003333900	LTH0125019-皓-100-圆形下照-25W-黑镜-24°-930	25W	<9	2000	3000	>90	24°	D113*H110	Φ100	30000
541003332400	LTH0125019-皓-100-圆形下照-25W-黑镜-24°-935	25W	<9	2000	3500	>90	24°	D113*H110	Φ100	30000
541003331200	LTH0125019-皓-100-圆形下照-25W-黑镜-24°-940	25W	<9	2000	4000	>90	24°	D113*H110	Φ100	30000
541003331900	LTH0125019-皓-100-圆形下照-25W-黑镜-36°-927	25W	<9	1833	2700	>90	36°	D113*H110	Φ100	30000
541003330800	LTH0125019-皓-100-圆形下照-25W-黑镜-36°-930	25W	<9	1950	3000	>90	36°	D113*H110	Φ100	30000
541003329900	LTH0125019-皓-100-圆形下照-25W-黑镜-36°-935	25W	<9	1950	3500	>90	36°	D113*H110	Φ100	30000
541003328100	LTH0125019-皓-100-圆形下照-25W-黑镜-36°-940	25W	<9	1950	4000	>90	36°	D113*H110	Φ100	30000
541003326900	LTH0125019-皓-100-圆形下照-25W-黑镜-50°-927	25W	<10	1739	2700	>90	50°	D113*H110	Φ100	30000
541003325100	LTH0125019-皓-100-圆形下照-25W-黑镜-50°-930	25W	<10	1850	3000	>90	50°	D113*H110	Φ100	30000
541003323700	LTH0125019-皓-100-圆形下照-25W-黑镜-50°-935	25W	<10	1850	3500	>90	50°	D113*H110	Φ100	30000
541003322700	LTH0125019-皓-100-圆形下照-25W-黑镜-50°-940	25W	<10	1850	4000	>90	50°	D113*H110	Φ100	30000
541003321000	LTH0120020-皓-100-方形侧角-20W-黑镜-15°-927	25W	<6	1316	2700	>90	15°	113*113*H110	100×100	30000
541003319700	LTH0120020-皓-100-方形侧角-20W-黑镜-15°-930	25W	<6	1400	3000	>90	15°	113*113*H110	100×100	30000
541003318600	LTH0120020-皓-100-方形侧角-20W-黑镜-15°-935	25W	<6	1400	3500	>90	15°	113*113*H110	100×100	30000
541003319400	LTH0120020-皓-100-方形侧角-20W-黑镜-15°-940	25W	<6	1400	4000	>90	15°	113*113*H110	100×100	30000
541003318200	LTH0120020-皓-100-方形侧角-20W-黑镜-24°-927	25W	<9	1504	2700	>90	24°	113*113*H110	100×100	30000
541003316400	LTH0120020-皓-100-方形侧角-20W-黑镜-24°-930	25W	<9	1600	3000	>90	24°	113*113*H110	100×100	30000
541003315100	LTH0120020-皓-100-方形侧角-20W-黑镜-24°-935	25W	<9	1600	3500	>90	24°	113*113*H110	100×100	30000
541003314300	LTH0120020-皓-100-方形侧角-20W-黑镜-24°-940	25W	<9	1600	4000	>90	24°	113*113*H110	100×100	30000
541003312600	LTH0120020-皓-100-方形侧角-20W-黑镜-36°-927	25W	<9	1504	2700	>90	36°	113*113*H110	100×100	30000

欧普照明股份有限公司  
 上海市闵行区吴中路1799号万象城V3栋  
 邮编 201103

OPPLE LIGHTING CO., LTD.  
 V3 Building, The MIXC, Lane 1799, Wuzhong Road,  
 Minhang District, Shanghai, China. 201103

客户关爱热线 400-6783-222  
 OPPLE.COM

订购代码

物料代码	物料描述	功率 (W)	UGR	光通量 (lm)	色温 (K)	显色指数	光束角	尺寸 (mm)	开孔尺寸 (mm)	寿命 (L70B50)
541003311400	LTH0120020-皓-100-方形调角-20W-黑镜-36°-930	25W	<9	1600	3000	>90	36°	113*113*H110	100×100	30000
541003310600	LTH0120020-皓-100-方形调角-20W-黑镜-36°-935	25W	<9	1600	3500	>90	36°	113*113*H110	100×100	30000
541003308800	LTH0120020-皓-100-方形调角-20W-黑镜-36°-940	25W	<9	1600	4000	>90	36°	113*113*H110	100×100	30000
541003307700	LTH0120020-皓-100-方形调角-20W-黑镜-50°-927	25W	<10	1504	2700	>90	50°	113*113*H110	100×100	30000
541003308400	LTH0120020-皓-100-方形调角-20W-黑镜-50°-930	25W	<10	1600	3000	>90	50°	113*113*H110	100×100	30000
541003307200	LTH0120020-皓-100-方形调角-20W-黑镜-50°-935	25W	<10	1600	3500	>90	50°	113*113*H110	100×100	30000
541003306300	LTH0120020-皓-100-方形调角-20W-黑镜-50°-940	25W	<10	1600	4000	>90	50°	113*113*H110	100×100	30000
541003304300	LTH0125020-皓-100-方形调角-25W-黑镜-15°-927	25W	<6	1222	2700	>90	15°	113*113*H110	100×100	30000
541003303200	LTH0125020-皓-100-方形调角-25W-黑镜-15°-930	25W	<6	1300	3000	>90	15°	113*113*H110	100×100	30000
541003302500	LTH0125020-皓-100-方形调角-25W-黑镜-15°-935	25W	<6	1300	3500	>90	15°	113*113*H110	100×100	30000
541003300600	LTH0125020-皓-100-方形调角-25W-黑镜-15°-940	25W	<6	1300	4000	>90	15°	113*113*H110	100×100	30000
541003299600	LTH0125020-皓-100-方形调角-25W-黑镜-24°-927	25W	<9	1880	2700	>90	24°	113*113*H110	100×100	30000
541003298000	LTH0125020-皓-100-方形调角-25W-黑镜-24°-930	25W	<9	2000	3000	>90	24°	113*113*H110	100×100	30000
541003296700	LTH0125020-皓-100-方形调角-25W-黑镜-24°-935	25W	<9	2000	3500	>90	24°	113*113*H110	100×100	30000
541003295700	LTH0125020-皓-100-方形调角-25W-黑镜-24°-940	25W	<9	2000	4000	>90	24°	113*113*H110	100×100	30000
541003296200	LTH0125020-皓-100-方形调角-25W-黑镜-36°-927	25W	<9	1833	2700	>90	36°	113*113*H110	100×100	30000
541003295100	LTH0125020-皓-100-方形调角-25W-黑镜-36°-930	25W	<9	1950	3000	>90	36°	113*113*H110	100×100	30000
541003294300	LTH0125020-皓-100-方形调角-25W-黑镜-36°-935	25W	<9	1950	3500	>90	36°	113*113*H110	100×100	30000
541003292200	LTH0125020-皓-100-方形调角-25W-黑镜-36°-940	25W	<9	1950	4000	>90	36°	113*113*H110	100×100	30000
541003291300	LTH0125020-皓-100-方形调角-25W-黑镜-50°-927	25W	<10	1739	2700	>90	50°	113*113*H110	100×100	30000
541003289500	LTH0125020-皓-100-方形调角-25W-黑镜-50°-930	25W	<10	1850	3000	>90	50°	113*113*H110	100×100	30000
541003288400	LTH0125020-皓-100-方形调角-25W-黑镜-50°-935	25W	<10	1850	3500	>90	50°	113*113*H110	100×100	30000
541003287600	LTH0125020-皓-100-方形调角-25W-黑镜-50°-940	25W	<10	1850	4000	>90	50°	113*113*H110	100×100	30000
541003297400	LTH0125018-皓-100-圆形调角-25W-黑镜-15°-927	25W	<6	1222	2700	>90	15°	D113*H110	Φ100	30000
541003296000	LTH0125018-皓-100-圆形调角-25W-黑镜-15°-930	25W	<6	1300	3000	>90	15°	D113*H110	Φ100	30000
541003295000	LTH0125018-皓-100-圆形调角-25W-黑镜-15°-935	25W	<6	1300	3500	>90	15°	D113*H110	Φ100	30000
541003293300	LTH0125018-皓-100-圆形调角-25W-黑镜-15°-940	25W	<6	1300	4000	>90	15°	D113*H110	Φ100	30000
541003291900	LTH0125018-皓-100-圆形调角-25W-黑镜-24°-927	25W	<9	1880	2700	>90	24°	D113*H110	Φ100	30000
541003290500	LTH0125018-皓-100-圆形调角-25W-黑镜-24°-930	25W	<9	2000	3000	>90	24°	D113*H110	Φ100	30000
541003289300	LTH0125018-皓-100-圆形调角-25W-黑镜-24°-935	25W	<9	2000	3500	>90	24°	D113*H110	Φ100	30000
541003288200	LTH0125018-皓-100-圆形调角-25W-黑镜-24°-940	25W	<9	2000	4000	>90	24°	D113*H110	Φ100	30000
541003289100	LTH0125018-皓-100-圆形调角-25W-黑镜-36°-927	25W	<9	1833	2700	>90	36°	D113*H110	Φ100	30000
541003287900	LTH0125018-皓-100-圆形调角-25W-黑镜-36°-930	25W	<9	1950	3000	>90	36°	D113*H110	Φ100	30000
541003286900	LTH0125018-皓-100-圆形调角-25W-黑镜-36°-935	25W	<9	1950	3500	>90	36°	D113*H110	Φ100	30000
541003285300	LTH0125018-皓-100-圆形调角-25W-黑镜-36°-940	25W	<9	1950	4000	>90	36°	D113*H110	Φ100	30000
541003283900	LTH0125018-皓-100-圆形调角-25W-黑镜-50°-927	25W	<10	1739	2700	>90	50°	D113*H110	Φ100	30000
541003282200	LTH0125018-皓-100-圆形调角-25W-黑镜-50°-930	25W	<10	1850	3000	>90	50°	D113*H110	Φ100	30000
541003280900	LTH0125018-皓-100-圆形调角-25W-黑镜-50°-935	25W	<10	1850	3500	>90	50°	D113*H110	Φ100	30000
541003279800	LTH0125018-皓-100-圆形调角-25W-黑镜-50°-940	25W	<10	1850	4000	>90	50°	D113*H110	Φ100	30000
541003325000	LTH0125018T-皓-100-圆形调角-25W-黑镜-27/57-DIM	25W	<9	/	2700-5700	>90	24°	D113*H110	Φ100	30000
541003325800	LTH0125020T-皓-100-方形调角-25W-黑镜-27/57-DIM	25W	<9	/	2700-5700	>90	24°	113*113*H110	100×100	30000
541003285800	LTH0130018-皓-125-圆形调角-30W-黑镜-15°-927	30W	<6	1974	2700	>90	15°	D138*H145	Φ125	30000
541003284600	LTH0130018-皓-125-圆形调角-30W-黑镜-15°-930	30W	<6	2100	3000	>90	15°	D138*H145	Φ125	30000
541003283600	LTH0130018-皓-125-圆形调角-30W-黑镜-15°-935	30W	<6	2100	3500	>90	15°	D138*H145	Φ125	30000
541003284200	LTH0130018-皓-125-圆形调角-30W-黑镜-15°-940	30W	<6	2100	4000	>90	15°	D138*H145	Φ125	30000
541003283000	LTH0130018-皓-125-圆形调角-30W-黑镜-24°-927	30W	<9	1967	2700	>90	24°	D138*H145	Φ125	30000
541003281100	LTH0130018-皓-125-圆形调角-30W-黑镜-24°-930	30W	<9	2093	3000	>90	24°	D138*H145	Φ125	30000
541003280000	LTH0130018-皓-125-圆形调角-30W-黑镜-24°-935	30W	<9	2093	3500	>90	24°	D138*H145	Φ125	30000

欧普照明股份有限公司  
上海市闵行区吴中路1799号万象城V3栋  
邮编 201103

OPPLE LIGHTING CO., LTD.  
V3 Building, The MIXC, Lane 1799, Wuzhong Road,  
Minhang District, Shanghai, China. 201103

客户关爱热线 400-6783-222  
OPPLE.COM



订购代码

物料代码	物料描述	功率 (W)	UGR	光通量 (lm)	色温 (K)	显色指数	光束角	尺寸 (mm)	开孔尺寸 (mm)	寿命 (L70B50)
541003279200	LTH0130018-皓-125-圆形侧角-30W-黑镜-24°-940	30W	<9	2093	4000	>90	24°	D138*H145	Φ125	30000
541003277400	LTH0130018-皓-125-圆形侧角-30W-黑镜-36°-927	30W	<9	2115	2700	>90	36°	D138*H145	Φ125	30000
541003276300	LTH0130018-皓-125-圆形侧角-30W-黑镜-36°-930	30W	<9	2250	3000	>90	36°	D138*H145	Φ125	30000
541003275500	LTH0130018-皓-125-圆形侧角-30W-黑镜-36°-935	30W	<10	2250	3500	>90	36°	D138*H145	Φ125	30000
541003273600	LTH0130018-皓-125-圆形侧角-30W-黑镜-36°-940	30W	<10	2250	4000	>90	36°	D138*H145	Φ125	30000
541003272400	LTH0130018-皓-125-圆形侧角-30W-黑镜-50°-927	30W	<10	2115	2700	>90	50°	D138*H145	Φ125	30000
541003273100	LTH0130018-皓-125-圆形侧角-30W-黑镜-50°-930	30W	<10	2250	3000	>90	50°	D138*H145	Φ125	30000
541003271800	LTH0130018-皓-125-圆形侧角-30W-黑镜-50°-935	30W	<6	2250	3500	>90	50°	D138*H145	Φ125	30000
541003270700	LTH0130018-皓-125-圆形侧角-30W-黑镜-50°-940	30W	<6	2250	4000	>90	50°	D138*H145	Φ125	30000
541003328700	LTH0130019-皓-125-圆形下照-30W-黑镜-15°-927	30W	<6	1974	2700	>90	15°	D138*H145	Φ125	30000
541003327500	LTH0130019-皓-125-圆形下照-30W-黑镜-15°-930	30W	<6	2100	3000	>90	15°	D138*H145	Φ125	30000
541003326500	LTH0130019-皓-125-圆形下照-30W-黑镜-15°-935	30W	<9	2100	3500	>90	15°	D138*H145	Φ125	30000
541003327200	LTH0130019-皓-125-圆形下照-30W-黑镜-15°-940	30W	<9	2100	4000	>90	15°	D138*H145	Φ125	30000
541003326100	LTH0130019-皓-125-圆形下照-30W-黑镜-24°-927	30W	<9	1967	2700	>90	24°	D138*H145	Φ125	30000
541003324000	LTH0130019-皓-125-圆形下照-30W-黑镜-24°-930	30W	<9	2093	3000	>90	24°	D138*H145	Φ125	30000
541003322900	LTH0130019-皓-125-圆形下照-30W-黑镜-24°-935	30W	<9	2093	3500	>90	24°	D138*H145	Φ125	30000
541003322000	LTH0130019-皓-125-圆形下照-30W-黑镜-24°-940	30W	<9	2093	4000	>90	24°	D138*H145	Φ125	30000
541003320000	LTH0130019-皓-125-圆形下照-30W-黑镜-36°-927	30W	<9	2115	2700	>90	36°	D138*H145	Φ125	30000
541003318800	LTH0130019-皓-125-圆形下照-30W-黑镜-36°-930	30W	<9	2250	3000	>90	36°	D138*H145	Φ125	30000
541003317700	LTH0130019-皓-125-圆形下照-30W-黑镜-36°-935	30W	<10	2250	3500	>90	36°	D138*H145	Φ125	30000
541003315900	LTH0130019-皓-125-圆形下照-30W-黑镜-36°-940	30W	<10	2250	4000	>90	36°	D138*H145	Φ125	30000
541003314800	LTH0130019-皓-125-圆形下照-30W-黑镜-50°-927	30W	<10	2115	2700	>90	50°	D138*H145	Φ125	30000
541003315400	LTH0130019-皓-125-圆形下照-30W-黑镜-50°-930	30W	<10	2250	3000	>90	50°	D138*H145	Φ125	30000
541003314400	LTH0130019-皓-125-圆形下照-30W-黑镜-50°-935	30W	<6	2250	3500	>90	50°	D138*H145	Φ125	30000
541003313500	LTH0130019-皓-125-圆形下照-30W-黑镜-50°-940	30W	<6	2250	4000	>90	50°	D138*H145	Φ125	30000
541003292900	LTH0130020-皓-125-方形侧角-30W-黑镜-15°-927	30W	<6	1974	2700	>90	15°	138*138*H145	125×125	30000
541003291700	LTH0130020-皓-125-方形侧角-30W-黑镜-15°-930	30W	<6	2100	3000	>90	15°	138*138*H145	125×125	30000
541003290700	LTH0130020-皓-125-方形侧角-30W-黑镜-15°-935	30W	<9	2100	3500	>90	15°	138*138*H145	125×125	30000
541003291500	LTH0130020-皓-125-方形侧角-30W-黑镜-15°-940	30W	<9	2100	4000	>90	15°	138*138*H145	125×125	30000
541003290400	LTH0130020-皓-125-方形侧角-30W-黑镜-24°-927	30W	<9	1967	2700	>90	24°	138*138*H145	125×125	30000
541003288700	LTH0130020-皓-125-方形侧角-30W-黑镜-24°-930	30W	<9	2093	3000	>90	24°	138*138*H145	125×125	30000
541003287700	LTH0130020-皓-125-方形侧角-30W-黑镜-24°-935	30W	<9	2093	3500	>90	24°	138*138*H145	125×125	30000
541003286700	LTH0130020-皓-125-方形侧角-30W-黑镜-24°-940	30W	<9	2093	4000	>90	24°	138*138*H145	125×125	30000
541003284900	LTH0130020-皓-125-方形侧角-30W-黑镜-36°-927	30W	<9	2115	2700	>90	36°	138*138*H145	125×125	30000
541003283700	LTH0130020-皓-125-方形侧角-30W-黑镜-36°-930	30W	<9	2250	3000	>90	36°	138*138*H145	125×125	30000
541003282400	LTH0130020-皓-125-方形侧角-30W-黑镜-36°-935	30W	<10	2250	3500	>90	36°	138*138*H145	125×125	30000
541003280700	LTH0130020-皓-125-方形侧角-30W-黑镜-36°-940	30W	<10	2250	4000	>90	36°	138*138*H145	125×125	30000
541003279600	LTH0130020-皓-125-方形侧角-30W-黑镜-50°-927	30W	<10	2115	2700	>90	50°	138*138*H145	125×125	30000
541003280300	LTH0130020-皓-125-方形侧角-30W-黑镜-50°-930	30W	<10	2250	3000	>90	50°	138*138*H145	125×125	30000
541003279300	LTH0130020-皓-125-方形侧角-30W-黑镜-50°-935	30W	<9	2250	3500	>90	50°	138*138*H145	125×125	30000
541003278300	LTH0130020-皓-125-方形侧角-30W-黑镜-50°-940	30W	<9	2250	4000	>90	50°	138*138*H145	125×125	30000
541003268600	LTH0135018-皓-125-圆形侧角-35W-黑镜-15°-927	35W	<6	2350	2700	>90	15°	D138*H145	Φ125	30000
541003267400	LTH0135018-皓-125-圆形侧角-35W-黑镜-15°-930	35W	<6	2500	3000	>90	15°	D138*H145	Φ125	30000
541003266500	LTH0135018-皓-125-圆形侧角-35W-黑镜-15°-935	35W	<6	2500	3500	>90	15°	D138*H145	Φ125	30000
541003264400	LTH0135018-皓-125-圆形侧角-35W-黑镜-15°-940	35W	<6	2500	4000	>90	15°	D138*H145	Φ125	30000
541003263400	LTH0135018-皓-125-圆形侧角-35W-黑镜-24°-927	35W	<9	2284	2700	>90	24°	D138*H145	Φ125	30000
541003261600	LTH0135018-皓-125-圆形侧角-35W-黑镜-24°-930	35W	<9	2430	3000	>90	24°	D138*H145	Φ125	30000
541003260300	LTH0135018-皓-125-圆形侧角-35W-黑镜-24°-935	35W	<9	2430	3500	>90	24°	D138*H145	Φ125	30000

欧普照明股份有限公司  
上海市闵行区吴中路1799号万象城V3栋  
邮编 201103

OPPLE LIGHTING CO., LTD.  
V3 Building, The MIXC, Lane 1799, Wuzhong Road,  
Minhang District, Shanghai, China. 201103

客户关爱热线 400-6783-222  
OPPLE.COM

订购代码

物料代码	物料描述	功率 (W)	UGR	光通量 (lm)	色温 (K)	显色指数	光束角	尺寸 (mm)	开孔尺寸 (mm)	寿命 (L70B50)
541003339100	LTH0135018-皓-125-圆形调角-35W-黑镜-24°-940	35W	<9	2430	4000	>90	24°	D138*H145	Φ125	30000
541003339700	LTH0135018-皓-125-圆形调角-35W-黑镜-36°-927	35W	<9	2538	2700	>90	36°	D138*H145	Φ125	30000
541003338400	LTH0135018-皓-125-圆形调角-35W-黑镜-36°-930	35W	<9	2700	3000	>90	36°	D138*H145	Φ125	30000
541003337400	LTH0135018-皓-125-圆形调角-35W-黑镜-36°-935	35W	<9	2700	3500	>90	36°	D138*H145	Φ125	30000
541003335700	LTH0135018-皓-125-圆形调角-35W-黑镜-36°-940	35W	<9	2700	4000	>90	36°	D138*H145	Φ125	30000
541003334800	LTH0135018-皓-125-圆形调角-35W-黑镜-50°-927	35W	<10	2538	2700	>90	50°	D138*H145	Φ125	30000
541003332900	LTH0135018-皓-125-圆形调角-35W-黑镜-50°-930	35W	<10	2700	3000	>90	50°	D138*H145	Φ125	30000
541003331400	LTH0135018-皓-125-圆形调角-35W-黑镜-50°-935	35W	<10	2700	3500	>90	50°	D138*H145	Φ125	30000
541003330500	LTH0135018-皓-125-圆形调角-35W-黑镜-50°-940	35W	<10	2700	4000	>90	50°	D138*H145	Φ125	30000
541003311700	LTH0135019-皓-125-圆形下照-35W-黑镜-15°-927	35W	<6	2350	2700	>90	15°	D138*H145	Φ125	30000
541003310700	LTH0135019-皓-125-圆形下照-35W-黑镜-15°-930	35W	<6	2500	3000	>90	15°	D138*H145	Φ125	30000
541003309700	LTH0135019-皓-125-圆形下照-35W-黑镜-15°-935	35W	<6	2500	3500	>90	15°	D138*H145	Φ125	30000
541003307900	LTH0135019-皓-125-圆形下照-35W-黑镜-15°-940	35W	<6	2500	4000	>90	15°	D138*H145	Φ125	30000
541003306800	LTH0135019-皓-125-圆形下照-35W-黑镜-24°-927	35W	<9	2284	2700	>90	24°	D138*H145	Φ125	30000
541003305100	LTH0135019-皓-125-圆形下照-35W-黑镜-24°-930	35W	<9	2430	3000	>90	24°	D138*H145	Φ125	30000
541003303900	LTH0135019-皓-125-圆形下照-35W-黑镜-24°-935	35W	<9	2430	3500	>90	24°	D138*H145	Φ125	30000
541003302800	LTH0135019-皓-125-圆形下照-35W-黑镜-24°-940	35W	<9	2430	4000	>90	24°	D138*H145	Φ125	30000
541003303500	LTH0135019-皓-125-圆形下照-35W-黑镜-36°-927	35W	<9	2538	2700	>90	36°	D138*H145	Φ125	30000
541003302600	LTH0135019-皓-125-圆形下照-35W-黑镜-36°-930	35W	<9	2700	3000	>90	36°	D138*H145	Φ125	30000
541003301500	LTH0135019-皓-125-圆形下照-35W-黑镜-36°-935	35W	<9	2700	3500	>90	36°	D138*H145	Φ125	30000
541003299900	LTH0135019-皓-125-圆形下照-35W-黑镜-36°-940	35W	<9	2700	4000	>90	36°	D138*H145	Φ125	30000
541003298900	LTH0135019-皓-125-圆形下照-35W-黑镜-50°-927	35W	<10	2538	2700	>90	50°	D138*H145	Φ125	30000
541003297000	LTH0135019-皓-125-圆形下照-35W-黑镜-50°-930	35W	<10	2700	3000	>90	50°	D138*H145	Φ125	30000
541003295800	LTH0135019-皓-125-圆形下照-35W-黑镜-50°-935	35W	<10	2700	3500	>90	50°	D138*H145	Φ125	30000
541003294800	LTH0135019-皓-125-圆形下照-35W-黑镜-50°-940	35W	<10	2700	4000	>90	50°	D138*H145	Φ125	30000
541003276600	LTH0135020-皓-125-方形调角-35W-黑镜-15°-927	35W	<6	2350	2700	>90	15°	138*138*H145	125×125	30000
541003275600	LTH0135020-皓-125-方形调角-35W-黑镜-15°-930	35W	<6	2500	3000	>90	15°	138*138*H145	125×125	30000
541003274500	LTH0135020-皓-125-方形调角-35W-黑镜-15°-935	35W	<6	2500	3500	>90	15°	138*138*H145	125×125	30000
541003272600	LTH0135020-皓-125-方形调角-35W-黑镜-15°-940	35W	<6	2500	4000	>90	15°	138*138*H145	125×125	30000
541003271400	LTH0135020-皓-125-方形调角-35W-黑镜-24°-927	35W	<9	2284	2700	>90	24°	138*138*H145	125×125	30000
541003269400	LTH0135020-皓-125-方形调角-35W-黑镜-24°-930	35W	<9	2430	3000	>90	24°	138*138*H145	125×125	30000
541003268100	LTH0135020-皓-125-方形调角-35W-黑镜-24°-935	35W	<9	2430	3500	>90	24°	138*138*H145	125×125	30000
541003267000	LTH0135020-皓-125-方形调角-35W-黑镜-24°-940	35W	<9	2430	4000	>90	24°	138*138*H145	125×125	30000
541003267700	LTH0135020-皓-125-方形调角-35W-黑镜-36°-927	35W	<9	2538	2700	>90	36°	138*138*H145	125×125	30000
541003266700	LTH0135020-皓-125-方形调角-35W-黑镜-36°-930	35W	<9	2700	3000	>90	36°	138*138*H145	125×125	30000
541003265400	LTH0135020-皓-125-方形调角-35W-黑镜-36°-935	35W	<9	2700	3500	>90	36°	138*138*H145	125×125	30000
541003263600	LTH0135020-皓-125-方形调角-35W-黑镜-36°-940	35W	<9	2700	4000	>90	36°	138*138*H145	125×125	30000
541003262600	LTH0135020-皓-125-方形调角-35W-黑镜-50°-927	35W	<10	2538	2700	>90	50°	138*138*H145	125×125	30000
541003260600	LTH0135020-皓-125-方形调角-35W-黑镜-50°-930	35W	<10	2700	3000	>90	50°	138*138*H145	125×125	30000
541003339200	LTH0135020-皓-125-方形调角-35W-黑镜-50°-935	35W	<10	2700	3500	>90	50°	138*138*H145	125×125	30000
541003338100	LTH0135020-皓-125-方形调角-35W-黑镜-50°-940	35W	<10	2700	4000	>90	50°	138*138*H145	125×125	30000
541003324600	LTH0135018T-皓-125-圆形调角-35W-黑镜-2757-DIM	35W	<6	/	2700-5700	>90	24°	D138*H145	Φ125	30000
541003323400	LTH0135020T-皓-125-方形调角-35W-黑镜-2757-DIM	35W	<6	/	2700-5700	>90	24°	138*138*H145	125×125	30000
541003336200	LTH0140018-皓-150-圆形调角-40W-黑镜-15°-927	40W	<6	3008	2700	>90	15°	D163*H171	Φ150	30000
541003335300	LTH0140018-皓-150-圆形调角-40W-黑镜-15°-930	40W	<6	3200	3000	>90	15°	D163*H171	Φ150	30000
541003334300	LTH0140018-皓-150-圆形调角-40W-黑镜-15°-935	40W	<9	3200	3500	>90	15°	D163*H171	Φ150	30000
541003334900	LTH0140018-皓-150-圆形调角-40W-黑镜-15°-940	40W	<9	3200	4000	>90	15°	D163*H171	Φ150	30000
541003333800	LTH0140018-皓-150-圆形调角-40W-黑镜-24°-927	40W	<9	3008	2700	>90	24°	D163*H171	Φ150	30000

欧普照明股份有限公司  
上海市闵行区吴中路1799号万象城V3栋  
邮编 201103

OPPLE LIGHTING CO., LTD.  
V3 Building, The MIXC, Lane 1799, Wuzhong Road,  
Minhang District, Shanghai, China. 201103

客户关爱热线 400-6783-222  
OPPLE.COM

订购代码

物料代码	物料描述	功率 (W)	UGR	光通量 (lm)	色温 (K)	显色指数	光束角	尺寸 (mm)	开孔尺寸 (mm)	寿命 (L70B50)
54100332300	LTH0140018-皓-150-圆形侧角-40W-黑镜-24°-930	40W	<9	3200	3000	>90	24°	D163*H171	Φ150	30000
541003330600	LTH0140018-皓-150-圆形侧角-40W-黑镜-24°-935	40W	<9	3200	3500	>90	24°	D163*H171	Φ150	30000
541003329600	LTH0140018-皓-150-圆形侧角-40W-黑镜-24°-940	40W	<9	3200	4000	>90	24°	D163*H171	Φ150	30000
541003327700	LTH0140018-皓-150-圆形侧角-40W-黑镜-36°-927	40W	<9	3008	2700	>90	36°	D163*H171	Φ150	30000
541003326700	LTH0140018-皓-150-圆形侧角-40W-黑镜-36°-930	40W	<9	3200	3000	>90	36°	D163*H171	Φ150	30000
541003325400	LTH0140018-皓-150-圆形侧角-40W-黑镜-36°-935	40W	<10	3200	3500	>90	36°	D163*H171	Φ150	30000
541003323500	LTH0140018-皓-150-圆形侧角-40W-黑镜-36°-940	40W	<10	3200	4000	>90	36°	D163*H171	Φ150	30000
541003322500	LTH0140018-皓-150-圆形侧角-40W-黑镜-50°-927	40W	<10	3008	2700	>90	50°	D163*H171	Φ150	30000
541003321300	LTH0140018-皓-150-圆形侧角-40W-黑镜-50°-930	40W	<10	3200	3000	>90	50°	D163*H171	Φ150	30000
541003322100	LTH0140018-皓-150-圆形侧角-40W-黑镜-50°-935	40W	<6	3200	3500	>90	50°	D163*H171	Φ150	30000
541003320900	LTH0140018-皓-150-圆形侧角-40W-黑镜-50°-940	40W	<6	3200	4000	>90	50°	D163*H171	Φ150	30000
541003300300	LTH0140019-皓-150-圆形下照-40W-黑镜-15°-927	40W	<6	3008	2700	>90	15°	D163*H171	Φ150	30000
541003299300	LTH0140019-皓-150-圆形下照-40W-黑镜-15°-930	40W	<6	3200	3000	>90	15°	D163*H171	Φ150	30000
541003298300	LTH0140019-皓-150-圆形下照-40W-黑镜-15°-935	40W	<9	3200	3500	>90	15°	D163*H171	Φ150	30000
541003299000	LTH0140019-皓-150-圆形下照-40W-黑镜-15°-940	40W	<9	3200	4000	>90	15°	D163*H171	Φ150	30000
541003297900	LTH0140019-皓-150-圆形下照-40W-黑镜-24°-927	40W	<9	3008	2700	>90	24°	D163*H171	Φ150	30000
541003296600	LTH0140019-皓-150-圆形下照-40W-黑镜-24°-930	40W	<9	3200	3000	>90	24°	D163*H171	Φ150	30000
541003294900	LTH0140019-皓-150-圆形下照-40W-黑镜-24°-935	40W	<9	3200	3500	>90	24°	D163*H171	Φ150	30000
541003293800	LTH0140019-皓-150-圆形下照-40W-黑镜-24°-940	40W	<9	3200	4000	>90	24°	D163*H171	Φ150	30000
541003291800	LTH0140019-皓-150-圆形下照-40W-黑镜-36°-927	40W	<9	3008	2700	>90	36°	D163*H171	Φ150	30000
541003290900	LTH0140019-皓-150-圆形下照-40W-黑镜-36°-930	40W	<9	3200	3000	>90	36°	D163*H171	Φ150	30000
541003289800	LTH0140019-皓-150-圆形下照-40W-黑镜-36°-935	40W	<10	3200	3500	>90	36°	D163*H171	Φ150	30000
541003288100	LTH0140019-皓-150-圆形下照-40W-黑镜-36°-940	40W	<10	3200	4000	>90	36°	D163*H171	Φ150	30000
541003287200	LTH0140019-皓-150-圆形下照-40W-黑镜-50°-927	40W	<10	3008	2700	>90	50°	D163*H171	Φ150	30000
541003286100	LTH0140019-皓-150-圆形下照-40W-黑镜-50°-930	40W	<10	3200	3000	>90	50°	D163*H171	Φ150	30000
541003286800	LTH0140019-皓-150-圆形下照-40W-黑镜-50°-935	40W	<6	3200	3500	>90	50°	D163*H171	Φ150	30000
541003285700	LTH0140019-皓-150-圆形下照-40W-黑镜-50°-940	40W	<6	3200	4000	>90	50°	D163*H171	Φ150	30000
541003264100	LTH0140020-皓-150-方形侧角-40W-黑镜-15°-927	40W	<6	3008	2700	>90	15°	163*163*H171	150×150	30000
541003263000	LTH0140020-皓-150-方形侧角-40W-黑镜-15°-930	40W	<6	3200	3000	>90	15°	163*163*H171	150×150	30000
541003261900	LTH0140020-皓-150-方形侧角-40W-黑镜-15°-935	40W	<9	3200	3500	>90	15°	163*163*H171	150×150	30000
541003262700	LTH0140020-皓-150-方形侧角-40W-黑镜-15°-940	40W	<9	3200	4000	>90	15°	163*163*H171	150×150	30000
541003261500	LTH0140020-皓-150-方形侧角-40W-黑镜-24°-927	40W	<9	3008	2700	>90	24°	163*163*H171	150×150	30000
541003339900	LTH0140020-皓-150-方形侧角-40W-黑镜-24°-930	40W	<9	3200	3000	>90	24°	163*163*H171	150×150	30000
541003338200	LTH0140020-皓-150-方形侧角-40W-黑镜-24°-935	40W	<9	3200	3500	>90	24°	163*163*H171	150×150	30000
541003337000	LTH0140020-皓-150-方形侧角-40W-黑镜-24°-940	40W	<9	3200	4000	>90	24°	163*163*H171	150×150	30000
541003335400	LTH0140020-皓-150-方形侧角-40W-黑镜-36°-927	40W	<9	3008	2700	>90	36°	163*163*H171	150×150	30000
541003334500	LTH0140020-皓-150-方形侧角-40W-黑镜-36°-930	40W	<9	3200	3000	>90	36°	163*163*H171	150×150	30000
541003333100	LTH0140020-皓-150-方形侧角-40W-黑镜-36°-935	40W	<10	3200	3500	>90	36°	163*163*H171	150×150	30000
541003331100	LTH0140020-皓-150-方形侧角-40W-黑镜-36°-940	40W	<10	3200	4000	>90	36°	163*163*H171	150×150	30000
541003330100	LTH0140020-皓-150-方形侧角-40W-黑镜-50°-927	40W	<10	3008	2700	>90	50°	163*163*H171	150×150	30000
541003329000	LTH0140020-皓-150-方形侧角-40W-黑镜-50°-930	40W	<10	3200	3000	>90	50°	163*163*H171	150×150	30000
541003329800	LTH0140020-皓-150-方形侧角-40W-黑镜-50°-935	40W	<9	3200	3500	>90	50°	163*163*H171	150×150	30000
541003328600	LTH0140020-皓-150-方形侧角-40W-黑镜-50°-940	40W	<9	3200	4000	>90	50°	163*163*H171	150×150	30000
541003319000	LTH0145018-皓-150-圆形侧角-45W-黑镜-15°-927	45W	<6	3130	2700	>90	15°	D163*H171	Φ150	30000
541003317900	LTH0145018-皓-150-圆形侧角-45W-黑镜-15°-930	45W	<6	3330	3000	>90	15°	D163*H171	Φ150	30000
541003316700	LTH0145018-皓-150-圆形侧角-45W-黑镜-15°-935	45W	<6	3330	3500	>90	15°	D163*H171	Φ150	30000
541003314900	LTH0145018-皓-150-圆形侧角-45W-黑镜-15°-940	45W	<6	3330	4000	>90	15°	D163*H171	Φ150	30000
541003314000	LTH0145018-皓-150-圆形侧角-45W-黑镜-24°-927	45W	<9	3196	2700	>90	24°	D163*H171	Φ150	30000

欧普照明股份有限公司  
上海市闵行区吴中路1799号万象城V3栋  
邮编 201103

OPPLE LIGHTING CO., LTD.  
V3 Building, The MIXC, Lane 1799, Wuzhong Road,  
Minhang District, Shanghai, China. 201103

客户关爱热线 400-6783-222  
OPPLE.COM

订购代码

物料代码	物料描述	功率 (W)	UGR	光通量 (lm)	色温 (K)	显色指数	光束角	尺寸 (mm)	开孔尺寸 (mm)	寿命 (L70B50)
541003312900	LTH0145018-皓-150-圆形侧角-45W-黑镜-24°-930	45W	<9	3400	3000	>90	24°	D163*H171	Φ150	30000
541003311200	LTH0145018-皓-150-圆形侧角-45W-黑镜-24°-935	45W	<9	3400	3500	>90	24°	D163*H171	Φ150	30000
541003310200	LTH0145018-皓-150-圆形侧角-45W-黑镜-24°-940	45W	<9	3400	4000	>90	24°	D163*H171	Φ150	30000
541003310900	LTH0145018-皓-150-圆形侧角-45W-黑镜-36°-927	45W	<9	3046	2700	>90	36°	D163*H171	Φ150	30000
541003309900	LTH0145018-皓-150-圆形侧角-45W-黑镜-36°-930	45W	<9	3240	3000	>90	36°	D163*H171	Φ150	30000
541003308700	LTH0145018-皓-150-圆形侧角-45W-黑镜-36°-935	45W	<9	3240	3500	>90	36°	D163*H171	Φ150	30000
541003306900	LTH0145018-皓-150-圆形侧角-45W-黑镜-36°-940	45W	<9	3240	4000	>90	36°	D163*H171	Φ150	30000
541003305900	LTH0145018-皓-150-圆形侧角-45W-黑镜-50°-927	45W	<10	3384	2700	>90	50°	D163*H171	Φ150	30000
541003304700	LTH0145018-皓-150-圆形侧角-45W-黑镜-50°-930	45W	<10	3600	3000	>90	50°	D163*H171	Φ150	30000
541003302900	LTH0145018-皓-150-圆形侧角-45W-黑镜-50°-935	45W	<10	3600	3500	>90	50°	D163*H171	Φ150	30000
541003302000	LTH0145018-皓-150-圆形侧角-45W-黑镜-50°-940	45W	<10	3600	4000	>90	50°	D163*H171	Φ150	30000
541003283800	LTH0145019-皓-150-圆形下照-45W-黑镜-15°-927	45W	<6	3130	2700	>90	15°	D163*H171	Φ150	30000
541003282600	LTH0145019-皓-150-圆形下照-45W-黑镜-15°-930	45W	<6	3330	3000	>90	15°	D163*H171	Φ150	30000
541003281400	LTH0145019-皓-150-圆形下照-45W-黑镜-15°-935	45W	<6	3330	3500	>90	15°	D163*H171	Φ150	30000
541003279700	LTH0145019-皓-150-圆形下照-45W-黑镜-15°-940	45W	<6	3330	4000	>90	15°	D163*H171	Φ150	30000
541003278800	LTH0145019-皓-150-圆形下照-45W-黑镜-24°-927	45W	<9	3196	2700	>90	24°	D163*H171	Φ150	30000
541003277700	LTH0145019-皓-150-圆形下照-45W-黑镜-24°-930	45W	<9	3400	3000	>90	24°	D163*H171	Φ150	30000
541003276000	LTH0145019-皓-150-圆形下照-45W-黑镜-24°-935	45W	<9	3400	3500	>90	24°	D163*H171	Φ150	30000
541003275000	LTH0145019-皓-150-圆形下照-45W-黑镜-24°-940	45W	<9	3400	4000	>90	24°	D163*H171	Φ150	30000
541003275700	LTH0145019-皓-150-圆形下照-45W-黑镜-36°-927	45W	<9	3046	2700	>90	36°	D163*H171	Φ150	30000
541003274700	LTH0145019-皓-150-圆形下照-45W-黑镜-36°-930	45W	<9	3240	3000	>90	36°	D163*H171	Φ150	30000
541003273400	LTH0145019-皓-150-圆形下照-45W-黑镜-36°-935	45W	<9	3240	3500	>90	36°	D163*H171	Φ150	30000
541003271500	LTH0145019-皓-150-圆形下照-45W-黑镜-36°-940	45W	<9	3240	4000	>90	36°	D163*H171	Φ150	30000
541003270300	LTH0145019-皓-150-圆形下照-45W-黑镜-50°-927	45W	<10	3384	2700	>90	50°	D163*H171	Φ150	30000
541003268900	LTH0145019-皓-150-圆形下照-45W-黑镜-50°-930	45W	<10	3600	3000	>90	50°	D163*H171	Φ150	30000
541003267100	LTH0145019-皓-150-圆形下照-45W-黑镜-50°-935	45W	<10	3600	3500	>90	50°	D163*H171	Φ150	30000
541003266000	LTH0145019-皓-150-圆形下照-45W-黑镜-50°-940	45W	<10	3600	4000	>90	50°	D163*H171	Φ150	30000
541003326800	LTH0145020-皓-150-方形侧角-45W-黑镜-15°-927	45W	<6	3130	2700	>90	15°	163*163*H171	150×150	30000
541003325700	LTH0145020-皓-150-方形侧角-45W-黑镜-15°-930	45W	<6	3330	3000	>90	15°	163*163*H171	150×150	30000
541003324300	LTH0145020-皓-150-方形侧角-45W-黑镜-15°-935	45W	<6	3330	3500	>90	15°	163*163*H171	150×150	30000
541003322600	LTH0145020-皓-150-方形侧角-45W-黑镜-15°-940	45W	<6	3330	4000	>90	15°	163*163*H171	150×150	30000
541003321600	LTH0145020-皓-150-方形侧角-45W-黑镜-24°-927	45W	<9	3196	2700	>90	24°	163*163*H171	150×150	30000
541003320300	LTH0145020-皓-150-方形侧角-45W-黑镜-24°-930	45W	<9	3400	3000	>90	24°	163*163*H171	150×150	30000
541003318500	LTH0145020-皓-150-方形侧角-45W-黑镜-24°-935	45W	<9	3400	3500	>90	24°	163*163*H171	150×150	30000
541003317400	LTH0145020-皓-150-方形侧角-45W-黑镜-24°-940	45W	<9	3400	4000	>90	24°	163*163*H171	150×150	30000
541003318000	LTH0145020-皓-150-方形侧角-45W-黑镜-36°-927	45W	<9	3046	2700	>90	36°	163*163*H171	150×150	30000
541003317000	LTH0145020-皓-150-方形侧角-45W-黑镜-36°-930	45W	<9	3240	3000	>90	36°	163*163*H171	150×150	30000
541003315700	LTH0145020-皓-150-方形侧角-45W-黑镜-36°-935	45W	<9	3240	3500	>90	36°	163*163*H171	150×150	30000
541003314100	LTH0145020-皓-150-方形侧角-45W-黑镜-36°-940	45W	<9	3240	4000	>90	36°	163*163*H171	150×150	30000
541003313200	LTH0145020-皓-150-方形侧角-45W-黑镜-50°-927	45W	<10	3384	2700	>90	50°	163*163*H171	150×150	30000
541003312000	LTH0145020-皓-150-方形侧角-45W-黑镜-50°-930	45W	<10	3600	3000	>90	50°	163*163*H171	150×150	30000
541003310400	LTH0145020-皓-150-方形侧角-45W-黑镜-50°-935	45W	<10	3600	3500	>90	50°	163*163*H171	150×150	30000
541003309200	LTH0145020-皓-150-方形侧角-45W-黑镜-50°-940	45W	<10	3600	4000	>90	50°	163*163*H171	150×150	30000
541003321700	LTH0145018T-皓-150-圆形侧角-45W-黑镜-27/57-DIM	45W	<9	/	2700-5700	>90	24°	D163*H171	Φ150	30000
541003320600	LTH0145020T-皓-150-方形侧角-45W-黑镜-27/57-DIM	45W	<9	/	2700-5700	>90	24°	163*163*H171	150×150	30000
820000005400	OP-DY2205S-120CC开关电源-5W-36V							92*36*25		
820000005500	OP-DY2208S-180CC开关电源-7W-36V							92*36*25		
820000004900	OP-DY2209S-200CC开关电源-9W-36V							92*36*25		

订购代码

物料代码	物料描述	功率 (W)	UGR	光通量 (lm)	色温 (K)	显色指数	光束角	尺寸 (mm)	开孔尺寸 (mm)	寿命 (L70B50)
820000005300	OP-DY220/12S-300CC开关电源-12W-36V							92*36*25		
820000005100	OP-DY220/15S-350CC开关电源-15W-36V							92*36*25		
820000004700	OP-DY220/18S-500CC开关电源-20W-36V							100*38*25		
820000005000	OP-DY220/25S-600CC开关电源-25W-36V							105*41*25		
820000005200	OP-DY220/30S-700CC开关电源-30W-36V							106*43*28		
820000004800	OP-DY220/35S-800CC开关电源-35W-36V							105*41*25		
820000005600	OP-DY220/40S-1050CC开关电源-40W-36V							105*41*25		
820000005700	OP-DY220/45S-1100CC开关电源-45W-36V							154*45*30		
820003000800	OP-DY220/5S-120CC-A0-10V电源-5W-36V							90*42*30		
820003001300	OP-DY220/8S-180CC-A0-10V电源-7W-36V							90*42*30		
820003001200	OP-DY220/9S-200CC-A0-10V电源-9W-36V							90*42*30		
820003000700	OP-DY220/12S-300CC-A0-10V电源-12W-36V							150*43*29		
820003001100	OP-DY220/15S-350CC-A0-10V电源-15W-36V							150*43*29		
820003000300	OP-DY220/18S-500CC-A0-10V电源-20W-36V							150*43*29		
820003000600	OP-DY220/25S-600CC-A0-10V电源-25W-36V							150*43*29		
820003001000	OP-DY220/30S-700CC-A0-10V电源-30W-36V							150*43*29		
820003000400	OP-DY220/35S-800CC-A0-10V电源-35W-36V							103*68*30		
820003000900	OP-DY220/40S-1050CC-A0-10V电源-40W-36V							103*68*30		
820003000500	OP-DY220/45S-1100CC-A0-10V电源-45W-36V							103*68*30		
820000008900	OP-DY220/5S-120CC-C-可控硅电源-5W-36V							150*43*29		
820000008500	OP-DY220/8S-180CC-C-可控硅电源-7W-36V							150*43*29		
820000009400	OP-DY220/9S-200CC-C-可控硅电源-9W-36V							150*43*29		
820000009500	OP-DY220/12S-300CC-C-可控硅电源-12W-36V							150*43*29		
820000009200	OP-DY220/15S-350CC-C-可控硅电源-15W-36V							150*43*29		
820000008800	OP-DY220/18S-500CC-C-可控硅电源-20W-36V							150*43*29		
820000008700	OP-DY220/25S-600CC-C-可控硅电源-25W-36V							185*43*29		
820000009100	OP-DY220/30S-700CC-C-可控硅电源-30W-36V							185*43*29		
820000009000	OP-DY220/35S-800CC-C-可控硅电源-35W-36V							137*82*31		
820000008600	OP-DY220/40S-1050CC-C-可控硅电源-40W-36V							137*82*31		
820000009300	OP-DY220/45S-1100CC-C-可控硅电源-45W-36V							137*82*31		
820000008400	OP-DY220/5S-120CC-D-DALI电源-5W-36V							81*33*30		
820000008100	OP-DY220/8S-180CC-D-DALI电源-7W-36V							81*33*30		
820000005800	OP-DY220/9S-200CC-D-DALI电源-9W-36V							81*33*30		
820000007000	OP-DY220/12S-300CC-D-DALI电源-12W-36V							150*43*29		
820000008000	OP-DY220/15S-350CC-D-DALI电源-15W-36V							150*43*29		
820000006000	OP-DY220/18S-500CC-D-DALI电源-20W-36V							150*43*29		
820000006900	OP-DY220/25S-600CC-D-DALI电源-25W-36V							150*43*29		
820000007400	OP-DY220/30S-700CC-D-DALI电源-30W-36V							150*43*29		
820000005900	OP-DY220/35S-800CC-D-DALI电源-35W-36V							103*68*30		
820000007200	OP-DY220/40S-1050CC-D-DALI电源-40W-36V							103*68*30		
820000007300	OP-DY220/45S-1100CC-D-DALI电源-45W-36V							103*68*30		
820000006200	OP-DY220/5S-120CC-B-蓝牙电源-5W-36V							130*45*24		
820000007100	OP-DY220/8S-180CC-B-蓝牙电源-7W-36V							130*45*24		
820000007600	OP-DY220/9S-200CC-B-蓝牙电源-9W-36V							130*45*24		
820000006100	OP-DY220/12S-300CC-B-蓝牙电源-12W-36V							190*45*24		
820000006600	OP-DY220/15S-350CC-B-蓝牙电源-15W-36V							190*45*24		
820000007500	OP-DY220/18S-500CC-B-蓝牙电源-20W-36V							190*45*24		
820000006400	OP-DY220/25S-600CC-B-蓝牙电源-25W-36V							230*45*25		



## 订购代码

物料代码	物料描述	功率 (W)	UGR	光通量 (lm)	色温 (K)	显色指数	光束角	尺寸 (mm)	开孔尺寸 (mm)	寿命 (L70B50)
82000006500	OP-DY220/30S-700CC-B-蓝牙电源-30W-36V							230*45*25		
82000007800	OP-DY220/35S-800CC-B-蓝牙电源-35W-36V							230*45*25		
82000006300	OP-DY220/40S-1050CC-B-蓝牙电源-40W-36V							230*45*25		
82000006800	OP-DY220/45S-1100CC-B-蓝牙电源-45W-36V							230*45*25		
82000007700	OP-DY220/5S-120CC-B-01-蓝牙调色电源-5W-36V							130*45*24		
82000008300	OP-DY220/12S-300CC-B-01-蓝牙调色电源-12W-36V							190*45*24		
82000006700	OP-DY220/24S-600CC-B-01-蓝牙调色电源-24W-36V							230*45*25		
82000007900	OP-DY220/35S-800CC-B-01-蓝牙调色电源-35W-36V							230*45*25		
82000008200	OP-DY220/45S-1100CC-B-01-蓝牙调色电源-45W-36V							230*45*25		
541098016800	皓-55-条纹玻璃镜片									
541098016600	皓-55-防眩蜂网格栅									
541098016400	皓-75-条纹玻璃镜片									
541098016100	皓-75-防眩蜂网格栅									
541098016200	皓-100-条纹玻璃镜片									
541098017000	皓-100-防眩蜂网格栅									
541098016900	皓-125-条纹玻璃镜片									
541098016700	皓-125-防眩蜂网格栅									
541098016500	皓-150-条纹玻璃镜片									
541098016300	皓-150-防眩蜂网格栅									